

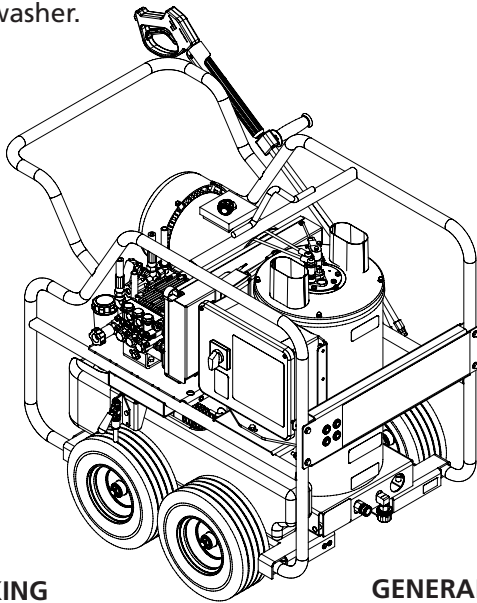
Please read and save these instructions. Read carefully before attempting to assemble, install, operate or maintain the product described. Protect yourself and others by observing all safety information. Failure to comply with instructions could result in personal injury and/or property damage! Retain instructions for future reference.

Dayton® Electric Hot Water Pressure Washer

For parts Call 888-279-9274

DESCRIPTION

Your Dayton pressure washer was constructed with the highest level of precision and accuracy. Each component has been rigorously tested by technicians to ensure the quality, endurance and performance of this pressure washer.



UNPACKING

When unpacking the unit, carefully inspect for signs of obvious or concealed freight damage. If damage does exist, file a claim with the transportation company immediately. Be sure that all damaged parts are replaced and that the mechanical and electrical problems are corrected prior to operation of the unit.

SPECIFICATIONS

Model.....	56JV46.....	56JV47.....	56JV48
Pump.....	Triplex Piston.....	Triplex Piston.....	Triplex Piston
Pump Oil.....	15 oz.....	15 oz.....	15 oz
Operating Pressure.....	3000 PSI.....	3000 PSI.....	3000 PSI
Dimensions (in).....	49.25Lx31Wx40H.....	49.25Lx31Wx40H.....	49.25Lx31Wx40H

GENERAL SAFETY INFORMATION

- 1. Read Operating Instructions**
Always become familiar with all the instructions and warnings before operating any pressure washer.

- 2. Risk of Electric Shock or Electrocutation**

Serious injury or death could occur if the pressure washer is not properly grounded. Your pressure washer is powered by electricity and may cause electric shock or electrocution if not used properly.

Electrical shock may occur from electrical cord.

Electrical shock may occur if pressure washer is not operated properly.

Serious injury or death may occur if electrical repairs are attempted by unqualified persons.

This product must be grounded. Make sure the pressure washer is equipped with a GFCI built into the power supply cord. If this is not available, the pressure washer must be plugged into a receptacle that is protected by a GFCI. Disconnect when not in use.

If your unit is equipped with a GFCI, DO NOT drop the GFCI as damage could result. If the GFCI is accidentally dropped, be certain to test the GFCI before using to ensure it is working properly. (Follow instructions on GFCI for test procedures.)

Always be certain the unit is receiving proper voltage. Before plugging the unit into a compatible power source, be certain the switch is in the "OFF" position. Disconnect when not in use.

Do not modify plug provided with the product. If it will not fit the outlet, have a proper outlet installed by a qualified electrician. Do not use any type of adapter.

Check power cord for signs of crushing, cutting or heat damage. If replacement of plug or cord is needed, use

⚠ WARNING

⚠ WARNING: This product can expose you to chemicals including Lead, which is known to the State of California to cause cancer and birth defects or other reproductive harm. For more information go to www.P65Warnings.ca.gov

E
N
G
L
I
S
H

E
S
P
A
Ñ
O
L

F
R
A
N
Ç
A
I
S

Dayton®

Portable Pressure Washer

E
N
G
L
I
S
H

only identical replacement parts.

Do not use extension cords with this pressure washer.

Keep all connections dry and off the ground. Do not allow electrical cords to lay in water or in such a position where water could come in contact with them. Do not touch plug with wet hands.

Do not pull on the electrical cord to disconnect from the outlet.

Do not direct spray on or into electrical installations of any kind! This includes electrical outlets, light bulbs, fuse boxes, transformers, the unit itself, etc.

Do not allow metal components of the pressure washer to come in contact with live electrical components.

Never operate the pressure washer with safety guards/ covers removed or damaged.

Any electrical wiring or repairs performed on this pressure washer should be done by Authorized Service Personnel in accordance with National and Local electrical codes.

Before opening any electrical enclosure, always shut off the pressure washer, relieve pressure and unplug the pressure washer from the power source. Allow the pressure washer to cool down. Never assume the pressure washer is safe to work on just because it is not operating. It could restart at any time! Service in a clean, dry, flat area.

3. **Risk of Explosion or Fire**
Serious injury or death may occur from normal sparks in the multiple ignition sources or

burner exhaust.

Serious injury or death may occur as a result of improper fueling.

Serious injury or death may occur if system safety's are not properly maintained.

Always operate pressure washer in a well ventilated area free of flammable vapors, combustible dust, gases or other combustible materials.

Do not store the pressure washer near an open flame or any equipment such as a stove, furnace, water heater, etc., which utilizes a pilot light or sparking device.

Do not use this pressure washer to spray flammable material!

Do not smoke while filling burner fuel tank.

Never fill the burner fuel tank while the pressure washer is running or hot. Allow to cool two minutes before refueling.

Do not refuel indoors or in a poorly ventilated area.

Always refuel slowly to avoid the possibility of spilled fuel which may cause a risk of fire.

Burner Fuel Tank:

Use No. 1 or No. 2 fuel oil/ diesel or kerosene. Do not use gasoline, crankcase drainings or oil containing gasoline or solvents.

Do not operate the unit if diesel fuel is spilled. Wipe the pressure washer clean and move it away from the spill. Avoid creating any ignition until the diesel fuel has evaporated.

This pressure washer has a Safety Relief device which should never be altered,

modified, removed or made inoperative. If the device fails, replace immediately with only genuine manufacturer replacement part.

4. **Risk of Breathing**
Serious injury or death may occur from inhaling burner exhaust or dangerous vapors.

Never operate this pressure washer in an enclosed area. Always make certain there is adequate ventilation (fresh outside air) for breathing and combustion. This will prevent the buildup of dangerous carbon monoxide gases. Beware of poorly ventilated areas, or areas with exhaust fans which can cause poor air exchange.

Follow all safety instructions provided with the materials you are spraying. Use of a respirator may be required when working with some materials. Do not use this pressure washer to dispense hazardous detergents.

5. **Risk of Burns**
Serious injury could occur from touching exposed metal parts. These areas can remain hot for some time after the pressure washer is shutdown.
Never allow any part of your body or other materials to make contact with any exposed metal parts on the pressure washer.
Never allow any part of your body to contact the engine muffler or adjacent areas.
6. **Risk of Injection**
Serious injury or death could occur from high pressure spray penetrating the skin.

Dayton®

Portable Pressure Washer

Keep clear of nozzle and spray! Never put your hand, fingers or body directly over the spray nozzle.

Do not direct discharge stream at persons or self.

This product is to be used only by trained operators.

Always keep operating area clear of all persons.

Close supervision is necessary when used near children. DO NOT allow children to operate this unit!

SEEK EMERGENCY MEDICAL CARE if the spray appears to have penetrated the skin! DO NOT TREAT AS A SIMPLE CUT!!

High pressure hoses and fuel lines should be inspected daily for signs of wear. If evidence of failure exists, promptly replace all suspect hoses and fuel lines to prevent the possibility of injury from the high pressure spray. If a hose or fitting is leaking, NEVER PLACE YOUR HAND DIRECTLY ON THE LEAK.

NEVER operate the gun with the trigger wired in the open position. To prevent accidental discharge, the trigger gun should be securely locked when not in use.

Before removing the spray nozzle or servicing the unit, ALWAYS shut off the unit and trigger the gun to release trapped pressure. (Even after you shut off the unit, there is high pressure water left in the pump, hose and gun until you release it by triggering the gun.)

7. Risk of Bursting

Serious injury may occur from a pressure washer malfunction or exploding accessories if

incorrect system components, attachments or accessories are used.

Serious injury or death may occur if attempting to start the pressure washer when the pumping system is frozen.

Never make adjustments to the factory set pressures.

Never exceed manufacturers maximum allowable pressure rating of attachments.

Do not allow any hoses to make contact with heat exchanger to prevent the possibility of bursting. Avoid dragging the hoses over abrasive surfaces such as cement.

Use only manufacturer recommended repair parts for your pressure washer.

In freezing temperatures, the unit must always be warm enough to ensure there is no ice formation in the pump. Do not start the pressure washer if it has been transported in an open or underheated vehicle without first allowing the pump to thaw.

8. Risk from Moving Parts

Serious injury may occur to the operator from moving parts on the pressure washer.

Never make adjustments to the unit while it is connected to the power source.

Do not operate the unit without all protective covers in place.

Follow the maintenance instructions specified in the manual.

9. Detergent Cleaning Precautions

Serious injury can occur from loose debris being propelled

at a high speed from the spray gun.

Injury may occur if the operator loses his balance caused by the thrust of water traveling through the spray nozzle.

Injury may occur from the pressure washer.

SEEK EMERGENCY MEDICAL CARE if you are using cleaning agents and the spray appears to have penetrated the skin! DO NOT TREAT AS A SIMPLE CUT! Be prepared to tell a physician exactly what kind of detergents you were using by reading the Material Safety Data Sheet (MSDS) provided with your detergent.

Never use any solvents or highly corrosive detergents or acid type cleaners with this pressure washer.

Protective equipment such as rubber suits, gloves and respirators are advisable, especially when using cleaning detergents.

Keep all detergents out of the reach of children!

ALWAYS wear protective goggles when operating the unit to shield the eyes from flying debris and detergents.

DO NOT direct spray toward fragile materials such as glass for shattering could occur.

Stay alert-watch what you are doing. Do not operate the unit when fatigued or under the influence of alcohol or drugs.

NEVER squeeze the trigger unless securely braced.

DO NOT overreach or stand on unstable support. Keep good footing and balance at all

Dayton®

Portable Pressure Washer

E
N
G
L
I
S
H

times.

Wet surfaces can be slippery, wear protective foot gear and keep good footing and balance at all times.

NEVER trigger the gun while on a ladder or roof.

ALWAYS hold on firmly to the gun/lance assembly when starting and operating the unit. Failure to do so can cause the lance to fall and whip dangerously.

Know how to stop the pressure

washer and bleed pressures quickly. Be thoroughly familiar with controls.

DO NOT leave pressurized unit unattended. Shut off the pressure washer and release trapped pressure before leaving.

DO NOT operate the unit if you see any fuel, oil or water leaks from the machine. DO NOT resume operation until the unit has been inspected and repaired by a qualified

service person.

Place unit in a clean, dry, flat area for servicing. Before servicing the unit: turn the unit off, relieve the water pressure from the trigger gun, and allow the unit to cool down. Service in clean, dry, flat area. If applicable, block wheels to prevent unit from moving.

Do not move the unit by pulling on the hose.

⚠ WARNING

⚠ WARNING: This product can expose you to chemicals including carbon monoxide, which is known to the State of California to cause birth defects or other reproductive harm. For more information go to www.P65Warnings.ca.gov

Dayton®

Portable Pressure Washer

INSTALLATION

ATTIRE

Proper attire is essential to your safety. It is advised to utilize whatever means necessary to protect eyes, ears, and skin. Additional safety attire (such as respiratory mask) may be required when using detergent cleaning agents with this washer.

SET-UP:

1. This unit should only be placed on a level surface to ensure proper lubrication for the water pump while operating. NEVER spray water directly on the unit.
2. Do not use unit in an area:
 - a. with insufficient ventilation.
 - b. where there is evidence of oil or fuel leaks.
 - c. where flammable gas vapors may be present.
3. Engage brake to prevent the unit from moving while operating.
4. Do not allow the unit to be exposed to rain, snow or freezing temperatures. If any part of the unit becomes frozen, excessive pressure may build up in the unit which could cause it to burst resulting in possible serious injury to the operator or bystanders.
5. Pump oil level should be checked before each use. Make certain the oil is on the "Full" mark on the dipstick or in the center of the oil sight glass. If the level appears to be low, fill with SAE30W Non-Detergent pump oil.

POWER CORD CONNECTION:

1. Make certain the motor switch is in the "OFF" position.

▲ DANGER RISK OF EXPLOSION OR FIRE!

DO NOT PLACE UNIT IN AN AREA WHERE FLAMMABLE GAS VAPORS MAY BE PRESENT. A SPARK COULD CAUSE AN EXPLOSION OR FIRE!

▲ DANGER RISK OF UNIT BURSTING!

DO NOT STORE/OPERATE UNIT IN A FREEZING ENVIRONMENT!

▲ DANGER RISK OF FIRE!

DO NOT SMOKE WHILE FUELING!

DO NOT FILL THE FUEL TANK WHILE UNIT IS RUNNING OR HOT. ALLOW UNIT & ENGINE TO COOL FOR TWO MINUTES BEFORE REFUELING.

DO NOT FILL FUEL TANK TO POINT OF OVERFLOWING. ALLOW APPROXIMATELY 1/4" OF TANK SPACE FOR FUEL EXPANSION.

▲ WARNING RISK OF ASPHYXIATION!

DO NOT OPERATE IN AN ENCLOSED AREA. USE THIS PRODUCT ONLY IN WELL VENTILATED AREAS!

THE EXHAUST FROM THE ENGINE CONTAINS CARBON MONOXIDE, A POISONOUS, ODORLESS AND INVISIBLE GAS. BREATHING THIS GAS CAN CAUSE SERIOUS INJURY, ILLNESS & POSSIBLE DEATH.

▲ WARNING RISK OF FIRE OR EXPLOSION

ALWAYS STORE FUEL AWAY FROM THE WASHER WHILE THE UNIT IS RUNNING OR HOT.

▲ WARNING RISK OF INJECTION

NEVER LOOK DIRECTLY AT THE NOZZLE ORIFICE UNLESS IT IS DISCONNECTED FROM THE GUN/WAND ASSEMBLY!

▲ WARNING RISK OF SEVERE INJURY!

THE TRIGGER GUN SHOULD ALWAYS BE LOCKED IN THE OFF POSITION WHEN NOT IN USE!

2. Ensure electrical supply is identical to the specifications listed on the pressure washer data plate.
3. **GROUNDING INSTRUCTIONS:** This product must be grounded. If it should malfunction or breakdown, grounding provides a path of least resistance for electric current to reduce the risk of electric shock. This product is equipped with a cord having an equipment-grounding conductor and a grounding plug. The plug must be plugged into an appropriate outlet that is properly installed and grounded in accordance with all local codes and ordinances.
4. **DANGER:** Improper connection of the equipment-grounding conductor can result in a risk of electrocution. Check with a qualified electrician or service personnel if you are in doubt as to whether the outlet is properly grounded. Do not modify the plug provided with the product - if it will not fit the outlet, have a proper outlet installed by a qualified electrician. Do not use any type of adaptor with this product.
5. **GROUND FAULT CIRCUIT INTERRUPTER PROTECTION:**
 - a. **SINGLE PHASE:** If this pressure washer is provided with a Ground Fault Circuit Interrupter (GFCI) built into the plug or the power supply cord, test the GFCI each time it is plugged into an outlet according to instructions on the GFCI. DO NOT use the pressure washer if the test fails! The GFCI provides additional protection from the risk of electric

Dayton®

Portable Pressure Washer

E
N
G
L
I
S
H

shock. Should replacement of the plug or cord become necessary, use only identical replacement parts that include GFCI protection.

- b. SINGLE PHASE: If this pressure washer is not provided with a. GFCI, this pressure washer should only be connected to a receptacle that is protected by a Ground Fault Circuit Interrupter (GFCI) to comply with the National Electric Code (NFPA 70) and to provide additional protection from the risk of electric shock.
- c. THREE PHASE: These pressure washers are not provided with GFCI protection.
6. EXTENSION CORDS: Manufacturer DOES NOT RECOMMEND THE USE OF EXTENSION CORDS! If use of an extension cord is unavoidable, it must be plugged into a GFCI found in circuit boxes or protected receptacles. When using an extension cord, consult a qualified electrician to determine the proper wire gauge needed for the length of the extension cord.

SINGLE PHASE: Use only 3-wire extension cords that have 3-prong grounding-type plugs and 3-pole cord connectors that accept the plug from the product.

THREE PHASE: Use only 4 wire extension cords that have 4-prong grounding type plugs and 4-pole cord connectors that accept the plug from the product.

Use only extension cords that are intended for outdoor use. These extension cords are identified by a marking "Acceptable for use with

outdoor appliances; store indoors while not in use." Use only extension cords having an electrical rating not less than the rating of the product. Do not use damaged extension cords. Examine extension cord before using and replace if damaged. Do not abuse extension cord and do not yank on any cord to disconnect. Keep cord away from heat and sharp edges. Always connect and disconnect the extension cord from the receptacle before connecting and disconnecting the product from the extension cord.

7. Ensure the area between the pressure washer cord and outlet is kept dry.
8. Insert the male plug into a grounded AC outlet. DO NOT use an adapter OR remove the grounding plug!!

BURNER FUEL TANK:

1. Review "Risk of Explosion or Fire", before fueling.
2. Locate the Safety Decals on your unit and heed their warnings.
3. Fill the burner fuel tank with good quality, clean No. 1 or No. 2 fuel oil/diesel or kerosene. Do not use gasoline!

ADJUSTABLE PRESSURE DUAL LANCE:

This unit features an Adjustable Pressure Dual Lance which allows the user to select a high or low pressure "fan" spray. Simply rotate the adjustable grip on the dual lance to achieve the desired pressure selection.

1. Selection of high pressure can be achieved by turning the adjustable grip on

the Dual Lance assembly counterclockwise.

2. Selection of low pressure can be achieved by turning the adjustable grip on the Dual Lance clockwise.

DUAL LANCE CONNECTION:

1. Be certain the trigger gun is locked in the "OFF" position.
2. Connect the dual lance assembly to the trigger gun assembly at this time (if applicable). Be certain the connection is securely tightened.

WATER SUPPLY:

▲ WARNING *THE TRIGGER GUN SHOULD ALWAYS BE LOCKED IN THE OFF POSITION WHEN NOT IN USE!*

1. Select a water supply hose which is a quality grade of garden hose measuring at least 3/4" ID and no longer than 50 feet.
2. If your unit is equipped with a water inlet strainer to ensure it is clean and free of any obstructions. Periodic cleaning of the water strainer will help prevent pump problems. As a strainer becomes obstructed, it restricts proper flow of water to the pump. This can result in cavitations which will cause premature failure of pump packings.
 - a. Unscrew the strainer bowl from the unit.
 - b. Clean or replace if necessary.
3. Connect the hoses:
 - a. Connect one end of the water supply hose to the water inlet of the unit.
 - b. Connect the other end of the hose to your pressurized water supply.

Dayton®

Portable Pressure Washer

NOTE: If there is a high mineral content in your water, it is highly recommended that a water softener and an additional water strainer be added to the water inlet to help prevent the possibility of excessive scale buildup inside the heat exchanger coil. Clean both strainers before starting your pressure washer.

4. Follow the incoming water requirements listed below:
 - a. Water pressure must be a minimum of 20 pounds per square inch (PSI) and a maximum of 125 PSI. (A typical outdoor faucet will generally supply this PSI if turned completely "ON".)
 - b. Incoming GPM must be approximately one gallon more than the outgoing GPM stated on the pressure washer nameplate. (You can check GPM by timing how long it takes to fill a 5 gallon container.)
 - c. Incoming water temperature must not exceed 125°F. Excessive pump damage may result if the water temperature exceeds this acceptable level.
5. Never allow the unit to operate without the incoming water line attached and the water supply completely turned on.

UNLOADER:

Standard Models:

The unloader has been preset at the factory.

Steam Option Models:

The unloader has an adjustment knob which has a minimum/maximum setting. Move the unloader clockwise to the maximum setting for Cold/Hot water operation. Move

counterclockwise to minimum setting for Steam operation.

THERMAL RELIEF VALVE:

To ensure the water temperature does not exceed acceptable levels, never allow the pressure washer to operate in the bypass mode (with the unit running and the trigger gun closed) for more than three minutes.

A thermal relief valve has been added to this unit to protect the pump. It may begin to open and release water if the water temperature in the pump has exceeded 140°F. This will allow fresh, cool water to enter the system.

PRE-START INSPECTION PROCEDURES:

Before starting the unit, perform the following procedures:

1. Inspect the electrical cords for cuts. If a cut is found, DO NOT TOUCH OR USE CORD! Replace cord before starting unit.
2. Check the oil level in the pump.
3. Inspect the water inlet strainer. Clean or replace if necessary. See "Water Supply".
4. Check all hose connections to ensure they are securely tightened.
5. Inspect for system water leaks, oil leaks and fuel leaks. If a fuel leak is found, DO NOT START UNIT! See "Risk of Explosion or Fire". Be sure that all damaged parts are replaced and that the mechanical problems are corrected prior to operation of the unit. If you require service, contact Customer Service.
6. Inspect high pressure hoses

for kinking, cuts and leaks. If a cut or leak is found, DO NOT USE HOSE! Replace hose before starting unit. See "Risk of Injection or Severe Cutting Injury". Be sure that all damaged parts are replaced and that the mechanical problems are corrected prior to operation of the unit. If you require service, contact Customer Service.

OPERATION

FLUSHING THE SYSTEM:

This unit has a steel coil which, after setting, will cause the water remaining in the coil from the previous usage to turn brown or black. This water must be flushed from the system before start-up. This procedure should be performed without the high pressure hose, gun and dual lance assembly installed.

1. Turn on the water supply.
2. Low pressure water will begin flowing from the water outlet. This allows the unit to flush any particles from the system. The unit is flushed when the water is clear.
3. Once the system is flushed, turn off the water supply and connect the high pressure hose to the water outlet of the unit.
4. Connect the trigger gun and dual lance assembly to the high pressure hose.
5. Turn on the water supply.

RISK OF UNIT DAMAGE.

⚠ WARNING BE CERTAIN THE HOSE, GUN & DUAL LANCE ASSY. ARE NOT CONNECTED TO THE UNIT WHILE FLUSHING THE SYSTEM. FLUSHING ALLOWS MINERAL DEPOSITS TO BE RELEASED FROM THE SYSTEM WHICH WOULD OBSTRUCT OR

Dayton®

Portable Pressure Washer

DAMAGE THE GUN AND NOZZLE ASSEMBLY RESULTING IN COSTLY REPAIRS.

START-UP/COLD WATER OPERATION:

1. Refer to the "Safety Precautions" before starting the unit.
2. Locate the Safety Decals on your unit and heed their warnings.
3. Ensure that the switch is in the "OFF" position.
4. Pointing the trigger gun in a safe direction, unlock the trigger gun and squeeze the trigger. Brace yourself for possible gun kickback when the pump starts.
5. Move the switch to the "Pump" position.
6. Once the unit has started, perform the following procedures with the gun open:
 - a. Inspect for system water leaks, oil leaks and fuel leaks. If a fuel leak is found, TURN UNIT OFF IMMEDIATELY! See "Risk of Explosion or Fire". Be sure that all damaged parts are replaced and that the mechanical problems are corrected prior to operation of the unit. If you require service, contact Customer Service.
 - b. Inspect high pressure hoses for kinking, cuts and leaks. If a cut or leak is found, DO NOT TOUCH HOSE AT LEAK!!! TURN UNIT OFF IMMEDIATELY! Replace hose before starting the unit. See "Risk of Injection or Severe Cutting Injury". Be sure that all damaged parts are replaced and that the mechanical problems are corrected prior to operation of the unit. If you require service, contact Customer Service.

7. At this point, the unit is operating as a cold water pressure washer. Trigger the gun several times and try adjusting the water pressure by rotating the grip on the dual lance. NEVER place hand or fingers in front of the nozzle or look directly into the nozzle! High pressure water creates a risk of severe injury!
8. Do not allow unit to operate in bypass mode (with trigger closed) for more than three minutes without triggering the gun. Failure to follow this simple rule can cause premature failure of pump packings.
9. Your pressure washer can deliver high pressure spray and a variety of spray patterns using cold water. See the Hot Water or Cleaning with Detergents for the correct procedures.

RISK OF INJECTION CAUSING

▲ WARNING SEVERE INJURY!
KEEP CLEAR OF NOZZLE! NEVER PLACE HAND OR FINGERS IN FRONT OF NOZZLE!

DO NOT DIRECT DISCHARGE STREAM AT PEOPLE OR PETS!

BE CERTAIN THE NOZZLE IS SECURELY CONNECTED TO THE WAND TO PREVENT ACCIDENTAL DISCHARGE!

RISK OF DAMAGE.

DO NOT ALLOW SPRAY PATTERN TO REMAIN ON A FIXED AREA FOR AN EXTENDED PERIOD OF TIME. POSSIBLE DAMAGE MAY OCCUR TO THE AREA.

HOT WATER OPERATION:

1. Follow the steps 1-8 outlined for "START-UP/COLD WATER OPERATION".
2. Move the switch to the "Burner" position. On initial

start-up, water will begin turning hot in approximately 20 seconds and will reach maximum temperature in approximately 2-1/2 minutes, provided the trigger remains squeezed. The burner will stop firing when the trigger is released.

NOTE: *While spraying, it is normal for the burner to fire intermittently. The high limit switch will cause combustion to cease when the temperature of the discharged water exceeds the temperature setting of the switch. Combustion will begin again when the water temperature drops below the minimum setting.*

At this point, the unit is operating as a hot water pressure washer. Be extremely cautious when adjusting the pressure and controlling the trigger gun/dual lance assembly to avoid the possibility of burns.

WARNING RISK OF BURN!

THE WATER TEMPERATURE COULD BECOME VERY HOT DURING HOT WATER/ STEAM OPERATION. BE CAUTIOUS WHEN ADJUSTING PRESSURE OR CONTROLLING THE TRIGGER GUN/ DUAL LANCE ASSEMBLY.

STEAM OPERATION (IF APPLICABLE)

1. Follow steps 1-8 outlined for "STARTUP/COLD WATER OPERATION".
2. Turn unloader knob counterclockwise to the minimum setting.

At this point, the unit will operate as a steam pressure washer. Be extremely cau-

Dayton®

Portable Pressure Washer

tious when adjusting the pressure and controlling the trigger gun/dual lance assembly to avoid the possibility of burns.

CLEANING WITH DETERGENTS:

NOTE: This feature is designed for use with mild detergents only. Since the cleaning solution travels through various parts of the pressure washer, do not use corrosives as they will cause extensive damage as well as pose a considerable safety hazard.

1. Refer to "Risk of Bodily Injury / Detergents". Be certain to wear protective safety attire as stated.
2. Prepare detergent solution according to label directions. (Never pump acids, alkalines, abrasive fluids or solvents through the unit. Due to the unknown and often corrosive characteristics of many detergents commonly used in the pressure washer cleaning industry, it is recommended to use only mild detergents with this unit.)
3. Fully immerse the strainer end of the clear vinyl detergent hose into the detergent solution.
4. Be certain the adjustable grip on the dual lance is turned completely clockwise for low pressure detergent operation.
5. To apply solution; unlock the trigger gun and squeeze the trigger. In a few moments a detergent/water mixture will exit the nozzle. Start spraying the lower portion of the surface being cleaned and move up, using long overlapping strokes. Applying from the bottom up helps

avoid streaking. Allow to soak briefly. Avoid working on hot surfaces or in direct sunlight to minimize the chances of the detergent drying, which may result in damaging surfaces. Be certain to apply cleaning solution to a small section at a time.

6. To rinse; lock the trigger gun in the "OFF" position, Rotate the adjustable grip on the dual lance counterclockwise for high pressure.
7. Siphon a gallon of water through the detergent injection system after each use. This prevents the possibility of corrosion or detergent residue causing mechanical problems during the next use.

Note: This injection system is designed to apply detergents under low pressure only. It will not allow detergent solutions to be introduced into the system unless the dual lance is set in the low pressure mode.

SHUTDOWN:

DANGER RISK OF INJECTION

▲ WARNING CAUSING SEVERE INJURY! TO PREVENT ACCIDENTAL HIGH PRESSURE DISCHARGE, DO NOT LEAVE UNIT UNATTENDED UNTIL "OFF/PUMP/BURNER" SWITCH IS IN THE OFF POSITION.

1. Move the switch to the "Pump" position.
2. Squeeze the trigger and discharge the water for a period of three minutes to cool the heat exchanger and high pressure hose. (Insufficient cool down period of the high pressure

hose will cause excessive wear and eventual rupturing of the hose.)

3. Move the switch to the "OFF" position.
4. Turn off the water supply and trigger the gun momentarily to relieve trapped pressure.
5. Disconnect and drain the high pressure hose, gun, and dual lance. Wipe the unit clean and store in a non-freezing environment.

STORAGE & MAINTENANCE

MAINTENANCE:

PUMP: Change the pump oil after the first 50 hours of operation. After initial change, every 3 months or 250 hour intervals are recommended. If oil appears dirty or milky, changes may be required in greater frequency. Use SAE20 or 30 pump oil (Grainger Item #4ZF21) and fill only to the center of the oil sight glass. DO NOT overfill.

QUICK COUPLERS: There are o-ring seals inside the couplers which will deteriorate. To replace, simply install a replacement o-ring to correct the leak. (Additional o-rings can be purchased from your dealer.)

NOZZLE: Water flow through the spray nozzle will erode the orifice, making it larger, resulting in a pressure loss. Nozzles should be replaced whenever pressure is less than 85% of the maximum. The frequency of replacement will depend upon such variables as mineral content in the water and number of hours the nozzle is used.

FUEL WATER SEPARATOR: The

Dayton®

Portable Pressure Washer

E
N
G
L
I
S
H

fuel filter has a built in water separator. Occasionally the water has to be drained from the separator. Follow the procedures listed below:

1. Check the collection bowl daily.
2. Ensure the unit is off and place an oil catch basin under the fuel cartridge.
3. Loosen the drain plug to allow the fuel/water contaminants to flow into the catch basin.
4. Retighten the drain plug when completed.
5. Dispose of drainage according to environmental regulations in your area.

BURNER AIR ADJUSTMENT:

The air shutter has been factory preset for proper operation between sea level and 2000 feet elevation at standard conditions (60°F ambient water and air temperatures). To assure maximum combustion efficiency at colder temperatures and higher altitudes, it will be necessary to adjust the air supply to the combustion chamber. A smoke spot test is recommended during any air shutter adjustment. This will aid in maximizing the burner efficiency and avoid the inefficient operation and excessive sooting of the combustion chamber.

1. The machine must be running and the burner on.
2. Take a smoke spot test to determine if more or less air is required for proper combustion.
 - a. If the test is greater than a #3 smoke, turn the shutter arm counterclockwise to increase the air flow into the

combustion chamber.

- b. If the test is yellowish in color, turn the shutter arm clockwise to decrease the air flow into the combustion chamber.
3. Hold onto the air shutter adjusting arm and loosen the locking nut. Move the shutter in 1/8" increments and retighten the locking nut after each 1/8" movement.
4. Trigger the gun on and off slowly to make sure there is proper ignition. Slight or no puffing on the ignition, and a smoke spot test of 0-3 is good.
5. Repeat steps 2 and 3 until step 4 is attained.

LEAKS: Promptly eliminate any leaks found in the pumping system by removing suspect parts, applying thread sealant to the threads and reinstalling.

NOTE: If using teflon tape, be certain no tape gets inside any plumbing to prevent the possibility of a plugged spray nozzle.

WINTERIZING:

For storage and transportation purposes in subfreezing ambient temperatures it will be necessary to winterize this unit. This unit must be protected to the lowest incurred temperature for the following reasons:

- a. If any part of the pumping system becomes frozen; excessive pressure may build up in the unit which could cause the unit to burst resulting in possible serious injury to the operator or bystanders.
- b. The pumping system in this unit may be permanently damaged if frozen. **FREEZE DAMAGE IS NOT COVERED BY WARRANTY.**

If you must store your unit in an area where the temperature may fall below 32°F, you can protect your unit by following the procedure outlined below.

1. Gather the following items:
 - a. Two 5 gallon containers.
 - b. One gallon of antifreeze. (The manufacturer recommends an environmentally safe antifreeze.)
 - c. Water supply.
 - d. Three foot hose, 1/2-3/4 I.D. with a 3/4 inch male garden hose fitting.
 2. Procedure:
 - a. To start winterizing, unit must be run and primed according to the "Start-up Procedures".
 - b. After running and priming, shut off the unit and water supply.
 - c. Relieve system pressure by pointing the trigger gun in a safe direction and squeezing the trigger until water flow ceases to exit the dual nozzle assembly.
 - d. Lock the trigger gun in the OFF position and adjust the Dual Lance to the low pressure mode.
- NOTE: Proper winterizing is based on the recommended manufacturer's instructions listed on the "Protection Chart" shown on the back label of most antifreeze containers.**
- e. Remove the water supply hose from the unit and attach the 3 foot hose securely to the inlet connection.
 - f. Shut off the detergent injector if applicable.
 - g. Fill one 5 gallon container with water.

Dayton®

Portable Pressure Washer

- h. Holding the 3 foot hose in an upright position, completely fill the hose with water. Then plug the open end of the hose with your thumb or finger. Place the plugged end into the 5 gallon container of water.
 - i. Start the unit. Trigger the gun several times until all the air is worked out of the system (unit is primed).
 - j. With the trigger gun help open, siphon enough water out of the 5 gallon container until there is just enough water left to mix with the antifreeze.
 - k. Point the trigger gun into the empty container. (Be certain to wear safety attire for protection from splashing.)
 - l. Trigger the gun until the antifreeze begins to exit the wand. Release the trigger for 3 seconds, then trigger the gun for 3 seconds. Continue cycling the gun several times until all the antifreeze mixture is siphoned from the container.
 - m. Stop the unit.
 - n. Detach the 3 foot hose from the unit and drain any excess antifreeze back into the 5 gallon container.
 - o. Disconnect the hose/gun/wand assembly from the unit and drain any excess antifreeze back into the 5 gallon container.
 - p. Store the hose, gun and wand with the unit in a safe, non-freezing area.
 - q. Store antifreeze solution for next use or dispose of according to state EPA laws.
3. Optional Procedure:
 - a. Shut the unit and water supply off.
 - b. Relieve system pressure by pointing the trigger gun in a safe direction and squeezing the trigger until water flow ceases to exit the nozzle.
 - c. Disconnect and drain the hose, trigger gun and dual lance assembly.
 - d. Remove the coil drain plug from the heat exchanger inlet.
 - e. Start the unit and allow it to run until all the water exits the unit. Once the water has stopped flowing from the unit, turn off.

NOTE: When using this procedure, caution should be used as ice chips can form from drops of water which could cause the unit to burst if starting before completely thawed.

RISK OF UNIT BURSTING!

DO NOT STORE/OPERATE UNIT IN A FREEZING ENVIRONMENT!

⚠ WARNING

Dayton®

Portable Pressure Washer

E
N
G
L
I
S
H

PROCEDURE	DAILY	3 MONTHS	6 MONTHS	9 MONTHS	12 MONTHS
Inspect electrical cord	X				
Test GFCI	X				
Test voltage and amp draw					X
Check water pump oil level	X				
Change water pump oil **		X	X	X	X
Oil leak inspection	X				
Fuel leak inspection	X				
Water leak inspection	X				
Hose inspection	X				
Water inlet filter inspection	X				
Check fuel filter/water separator	X				
Inspect belts		X	X	X	X
Replace high pressure nozzle***		X	X	X	X
Replace fuel filter/water separator					X
Inspect fuel pump filter*					X
Replace fuel nozzle*					X
Check burner air adjustment		X	X	X	X
Check burner electrodes*					X
Test water pressure*		X	X	X	X
Test fuel pressure*		X	X	X	X
Test water temperature*		X	X	X	X
Descale coil****					X

* Must be performed by an authorized service technician.

** The pump oil must be changed after the first 50 hours of operation and every 250 hours or 3 months, whichever comes first.

*** High pressure nozzle should be replaced whenever pressure is less than 85%.

**** Scale build-up will vary with mineral content in the water and amount of usage. Descaling can range from weekly to yearly maintenance.

Dayton®

Portable Pressure Washer

Troubleshooting Chart

Symptom	Possible Cause (s)	Corrective Action
Pump motor will not run.	Circuit overload.	Check wall breaker or fuse.
	GFCI tripped.	Reset.
	Motor overload.	Reset thermal overload button on pump motor or inside electrical control panel.
No discharge at nozzle when trigger mechanism is squeezed.	Inadequate water supply.	Ensure hose is 3/4" diameter and incoming water supply is turned on.
Low or fluctuating pressure.	Kink in water inlet hose.	Remove kink.
	Kink in high pressure discharge hose.	Replace kinked high pressure hose.
	Water inlet screen obstructed.	Remove screen, clean or replace.
	Pump sucking air. (Prime eliminated)	Tighten all water intake connections Eliminate leaks in intake line.
	Adjustable Grip on Dual Lance is not in high pressure mode.	Turn grip counterclockwise to move to high pressure.
	Obstructed or worn spray nozzle.	Remove, clean or replace.
	Damaged or obstructed valve assembly on pump	Remove, clean or replace.
	Pump packings worn.	Replace packings.
	Unloader/Bypass valve not operating correctly.	Repair or replace.
Scale build-up in heat exchanger coil.	Descale coil.	
Water is leaking from Heat Dump Valve.	Water inlet temperature is too high.	Incoming water temperature must be less than 125°.
	Water temperature is too high.	Do not allow unit to operate in bypass mode (with the trigger gun closed) for more than three minutes.
	Defective valve.	Replace.
Oil appears milky or foamy.	Water in oil.	Change pump oil. Fill to proper level.
Oil leaking from unit.	Worn seals or o-rings.	Contact Customer Service.
Detergent will not siphon .	Detergent strainer is not completely submerged in detergent solution.	Check, submerge if necessary.
	Detergent strainer obstructed.	Inspect, clean or replace.
	Detergent hose cut, obstructed or kinked.	Inspect, clean or replace.
	Detergent adjusting knob turned to closed position.	Open adjusting knob. Refer to "Cleaning with Detergents".

Dayton®

Portable Pressure Washer

Troubleshooting Chart

Symptom	Possible Cause (s)	Corrective Action
Detergent will not siphon into the low pressure mode.	Adjustable grip on dual lance is not in low pressure mode.	Turn grip clockwise to move to low pressure
	Too many high pressure hose extensions attached to the water outlet	Use one extension maximum
	Nozzle assembly is plugged.	Clean or replace
	Ball and sprin in Venturi stuck.	Remove, clean or replace.
Water flows back into detergent container	Check valve missing or corroded.	Remove, clean or replace.
Water flows from the nozzle when the trigger gun is locked in the "OFF" position	Trigger gun is malfunctioning.	Repair or replace.
Water is leaking under heat exchanger coil.	Coil drain plug is not installed.	Install.
	Safety Relief device is relieving caused by an unloader or pressure switch malfunction.	1. Detect and correct unloader or pressure switch problem. 2. Replace safety relief device. NEVER run unit without safety relief device. Doing so can cause an explosion!
Burner will not ignite.	Switch is not in "Burner".	Check switch position.
	No voltage.	Contact Customer Service.
	Out of fuel.	Refuel
	Fuel pickup screen obstructed.	Consult Service.
	Trigger gun is closed.	Open trigger gun for pressure.
	Pressure switch override.	Pressure should be over 250 PSI to allow burner to come on.
	High limit switch override.	Unit will automatically reignite when cool.
	Flexible coupler broken.	Replace.
	Dirty or clogged fuel filter/water sep.	Drain or replace as necessary.

E
N
G
L
I
S
H

Dayton®

Portable Pressure Washer

Troubleshooting Chart

Symptom	Possible Cause (s)	Corrective Action
Burner will not ignite.	Fuel pump sucking air.	Tighten all fuel intake connections. Eliminate leaks in intake line.
	Fuel pump inoperative.	Check pressure, replace if needed.
	Dirty or clogged fuel nozzle.	Replace.
	Improper burner air adjustment.	Adjust.
	Ignition transformer failure.	Replace.
	Ignition electrodes damaged or worn.	With unit running and trigger gun closed, look through burner sight glass to ensure there is sparking across electrodes.
	Fuel solenoid valve failure.	Replace.
Steam Option	High PSI mode.	Verify burner switch is in "Burner" mode.
	Steam mode	Verify unloader is at minimum setting.
Steam mode: Pump head PSI too high	Steam mode: Pump head PSI too high	Reduce pressure to 350PSI
Burner motor will not run.	Switch is not in "Burner" position.	Check switch position.
	No voltage.	Consult your Customer Service.
	Motor overload.	Motor automatically resets when cool.
	Fuel pump siezed.	Allow motor to cool. Repair or replace.
	Blower Fan seized.	Allow motor to cool. Repair or replace.
Burner runs erratically.	Water in the fuel oil.	Drain fuel filter/water separator. Drain fuel tank, and replace with clean fuel.
	Dirty fuel filter/water separator.	Replace element.
	Dirty fuel nozzle.	Replace.
	Fuel pickup screen obstructed.	Consult your Customer Service.
	Improper air adjustment setting.	Adjust.
	Fuel pump malfunctioning.	Replace.
Burner discharges black smoke.	Insufficient air supply.	Adjust.
	Combustion chamber loaded with unburned fuel.	Consult your Customer Service.

Dayton®

Portable Pressure Washer

Troubleshooting Chart

Symptom	Possible Cause (s)	Corrective Action
Burner runs, but will not heat.	Poor or improper fuel supply.	Check fuel to ensure it is correct. Drain tank and replace filter if necessary and refill with proper fuel.
	Low fuel pump pressure.	Check fuel pump pressure, adjust or replace if needed.
	Dirty fuel nozzle.	Replace.
	Fuel pickup screen obstructed.	Consult your Customer Service.
	Improper air adjustment setting.	Adjust.
	Scale build up in heat exchanger coil.	Consult your Customer Service.
Burner discharges white smoke.	Low on fuel.	Refuel. If white smoke persists, consult your Customer Service.
	Poor or improper fuel supply.	Check fuel pump pressure, adjust or replace if needed.
	Dirty fuel nozzle.	Replace.
	Improper air adjustment setting.	Adjust.
	Cold combustion chamber start-up.	Run burner for several minutes.
	Excessive air supply.	Adjust.

E
N
G
L
I
S
H

Dayton®

Portable Pressure Washer

LIMITED WARRANTY

DAYTON ONE-YEAR LIMITED WARRANTY. Dayton Portable Pressure Washer, Models covered in this manual, are warranted Electric Mfg. Co. to the original user against defects in workmanship or materials under normal use for one year after date of purchase. Any part which is determined to be defective in material or workmanship and returned to an authorized service location, as Dayton designates, shipping costs prepaid, will be, as the exclusive remedy, repaired or replaced at Dayton's option. For limited warranty claim procedures, see PROMPT DISPOSITION below. This limited warranty gives purchasers specific legal rights which vary from jurisdiction to jurisdiction.

LIMITATION OF LIABILITY. To the extent allowable under applicable law, Dayton's liability for consequential and incidental damages is expressly disclaimed. Dayton's liability in all events is limited to and shall not exceed the purchase price paid.

WARRANTY DISCLAIMER. Dayton has made a diligent effort to provide product information and illustrate the products in this literature accurately; however, such information and illustrations are for the sole purpose of identification, and do not express or imply a warranty that the products are MERCHANTABLE, or FIT FOR A PARTICULAR PURPOSE, or that the products will necessarily conform to the illustrations or descriptions. Except as provided below, no warranty or affirmation of fact, expressed or implied, other than as stated in the "LIMITED WARRANTY" above is made or authorized by Dayton.

PRODUCT SUITABILITY. Many jurisdictions have codes and regulations governing sales, construction, installation, and/or use of products for certain purposes, which may vary from those in neighboring areas. While Dayton attempts to assure that its products comply with such codes, it cannot guarantee compliance, and cannot be responsible for how the product is installed or used. Before purchase and use of a product, review the product applications, and all applicable national and local codes and regulations, and be sure that the product, installation, and use will comply with them.

Certain aspects of disclaimers are not applicable to consumer products; e.g., (a) some jurisdictions do not allow the exclusion or limitation of incidental or consequential damages, so the above limitation or exclusion may not apply to you; (b) also, some jurisdictions do not allow a limitation on how long an implied warranty lasts, consequently the above limitation may not apply to you; and (c) by law, during the period of this Limited Warranty, any implied warranties of implied merchantability or fitness for a particular purpose applicable to consumer products purchased by consumers, may not be excluded or otherwise disclaimed.

PROMPT DISPOSITION. Dayton will make a good faith effort for prompt correction or other adjustment with respect to any product which proves to be defective within limited warranty. For any product believed to be defective within limited warranty, first write or call dealer from whom the product was purchased. Dealer will give additional directions. If unable to resolve satisfactorily, write to Dayton at address below, giving dealer's name, address, date, and number of dealer's invoice, and describing the nature of the defect. Title and risk of loss pass to buyer on delivery to common carrier. If product was damaged in transit to you, file claim with carrier.

Manufactured for Electric Mfg. Co., 5959 W. Howard St., Niles, Illinois 60714 U.S.A.

For Repair Parts, call 888-279-9274

Please provide following information:

- Model number
- Serial number (if any)
- Part description and number as shown in parts lists

E
N
G
L
I
S
H

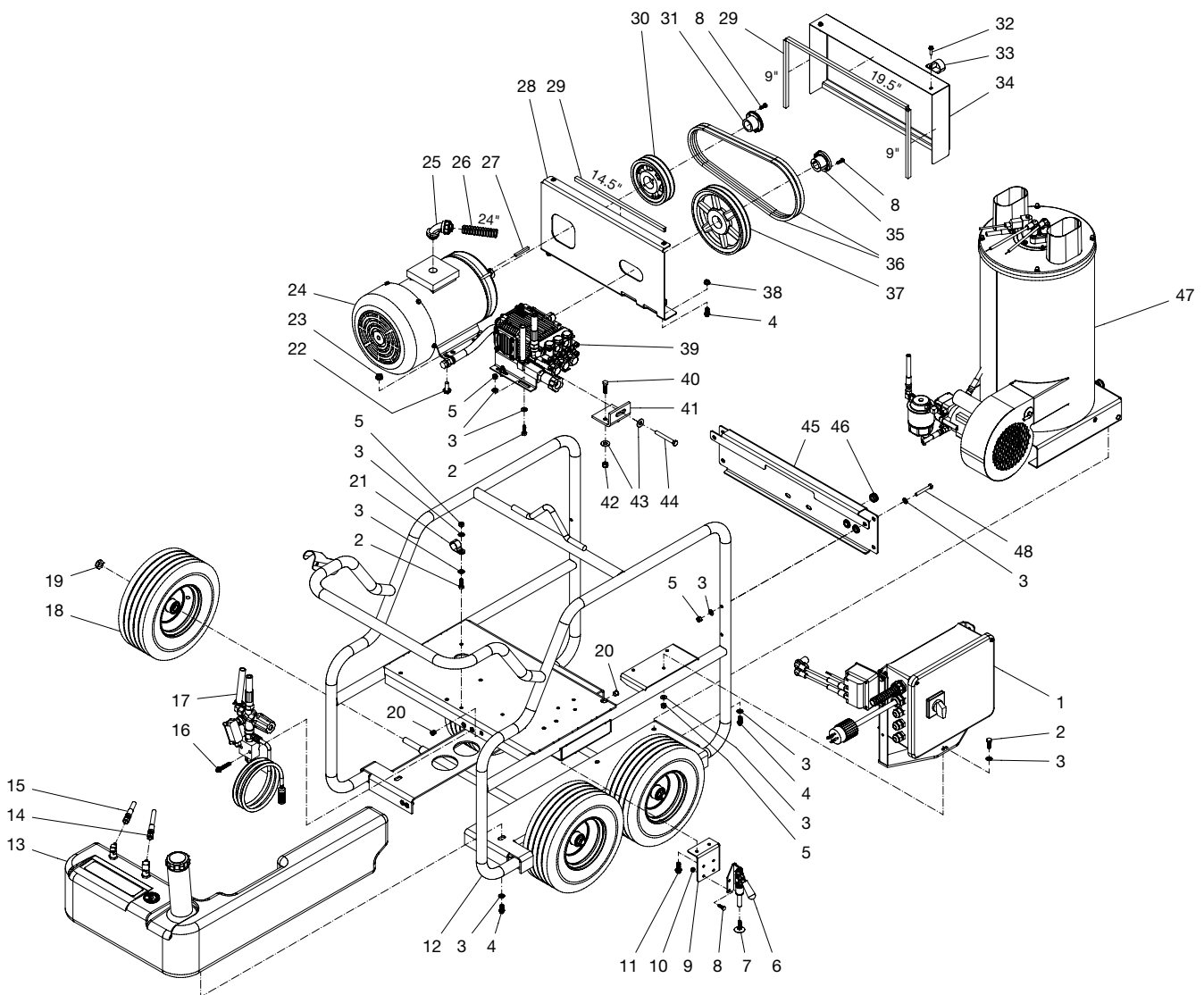


Figure 1 - Repair Parts Illustration GH-3003-0D10_SD10_30 UNIT ASSY 121020 (BEFORE SERIAL #15143273)

For Repair Parts, call 888-279-9274*Please provide following information-*

- Model number
- Serial number (if any)
- Part description and number as shown in parts lists

Repair Parts List

Ref. No.	Description	Part Numbers	Qty.	Ref. No.	Description	Part Numbers	Qty.
1	ELECTRIC BOX ASSEMBLY	N/A	1	25	CONDUIT ELBOW	32-0487	1
2	BOLT	27-0067	8	26	CONDUIT *(TWO FEET REQUIRED)	32-0486	1
3	WASHER	28-0003	31	27	KEY	43-0078	1
4	BOLT	27-9524	11	28	BELTGUARD BACK	6-0198A18	1
5	LOCKNUT	30-0157	12	29	EDGING *(FIVE FEET REQUIRED)	33-0020	1
6	PUSH/PULL TOGGLE CLAMP	33-0400	1	30	SHEAVE	10-0064	1
7	BOLT	27-9550	1	31	BUSHING	9-0010	1
8	BOLT	27-0015	6	32	BOLT	27-9527	2
9	BRAKE BRACKET	20-1393A18	1	33	CLIP	42-0055	1
10	LOCKNUT	30-0155	2	34	BELTGUARD COVER	6-0199A18	1
11	BOLT	27-1201	2	35	BUSHING	9-0017	1
12	FRAME	5-0398A18	1	36	BELT	11-0005	2
13	FUEL TANK ASSEMBLY	850-0193	1	37	SHEAVE	10-0007	1
14	HP FUEL HOSE	15-0190	1	38	NUT	30-3023	4
15	FUEL HOSE	15-0147	1	39	PUMP ASSEMBLY	N/A	1
16	BOLT	27-9529	2	40	BOLT	27-0118	2
17	UNLOADER/ MANIFOLD ASSEMBLY	N/A	1	41	TIGHTENER BRACKET	13-0005A18	1
18	WHEEL	14-0150	4	42	LOCKNUT	30-0159	2
19	LOCKNUT	30-0117	4	43	WASHER	28-0023	3
20	SNAP BUSHING	9-0028	2	44	BOLT	27-0576	1
21	CLIP	33-0291	1	45	FRONT PANEL	20-1395A18	1
22	BOLT	27-8923	4	46	GROMMET	33-0001	4
23	NUT	30-3030	4	47	HEAT EXCHANGER ASSEMBLY	N/A	1
24	MOTOR - 6HP 208-230V 1 PHASE	2-0090	1	48	BOLT	27-0072	4
-	MOTOR 6HP 208-230/460V 3 PHASE	2-0091	1		*MUST ORDER IN ONE FOOT LENGTHS		

For Repair Parts, call 888-279-9274

Please provide following information:

- Model number
- Serial number (if any)
- Part description and number as shown in parts lists

E
N
G
L
I
S
H

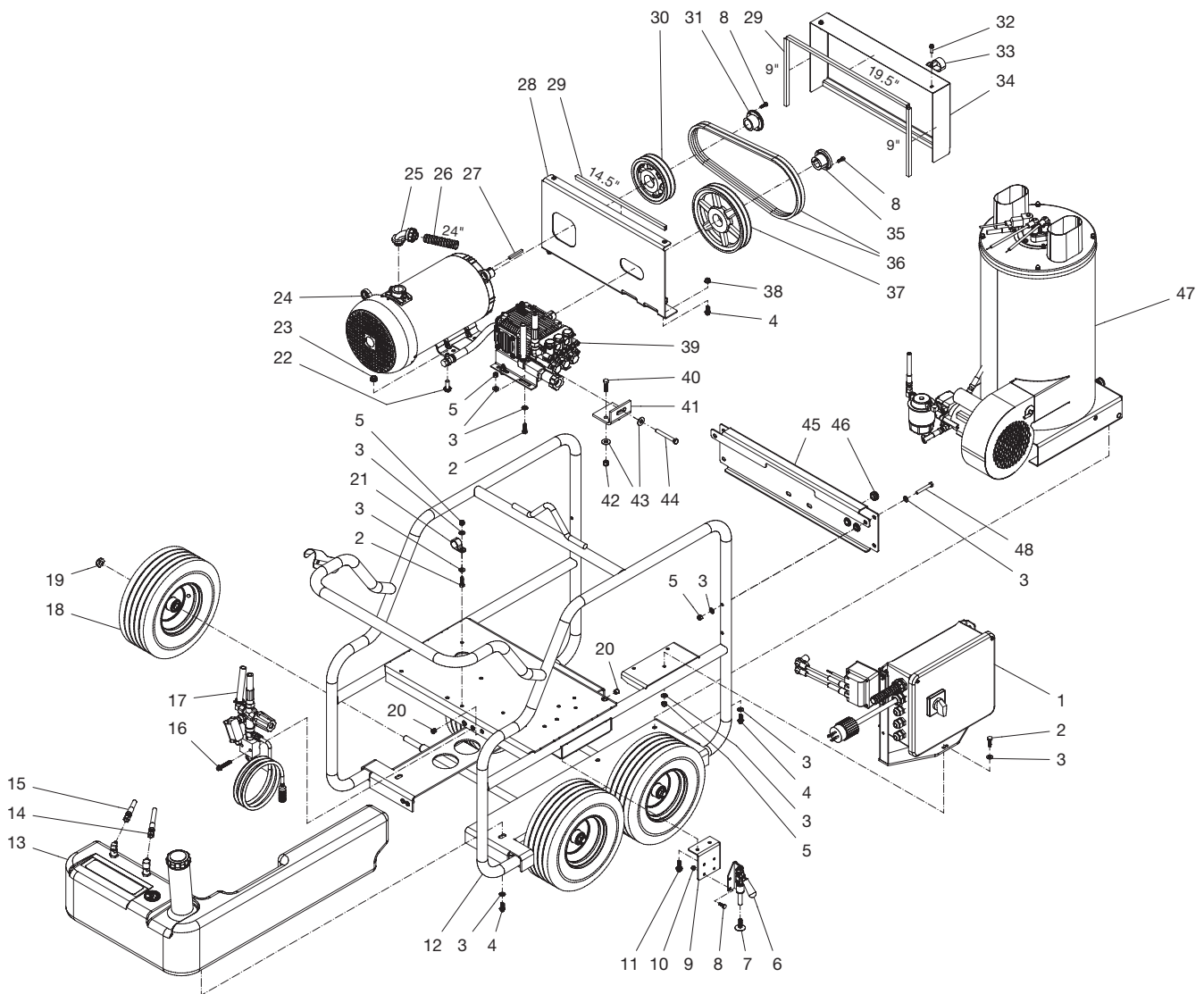


Figure 1 - Repair Parts Illustration GH-3003-0D10_SD10_30 UNIT ASSY 040521 (AFTER SERIAL #15143273 and #15144936)

For Repair Parts, call 888-279-9274

Please provide following information

- Model number
- Serial number (if any)
- Part description and number as shown in parts lists

Repair Parts List

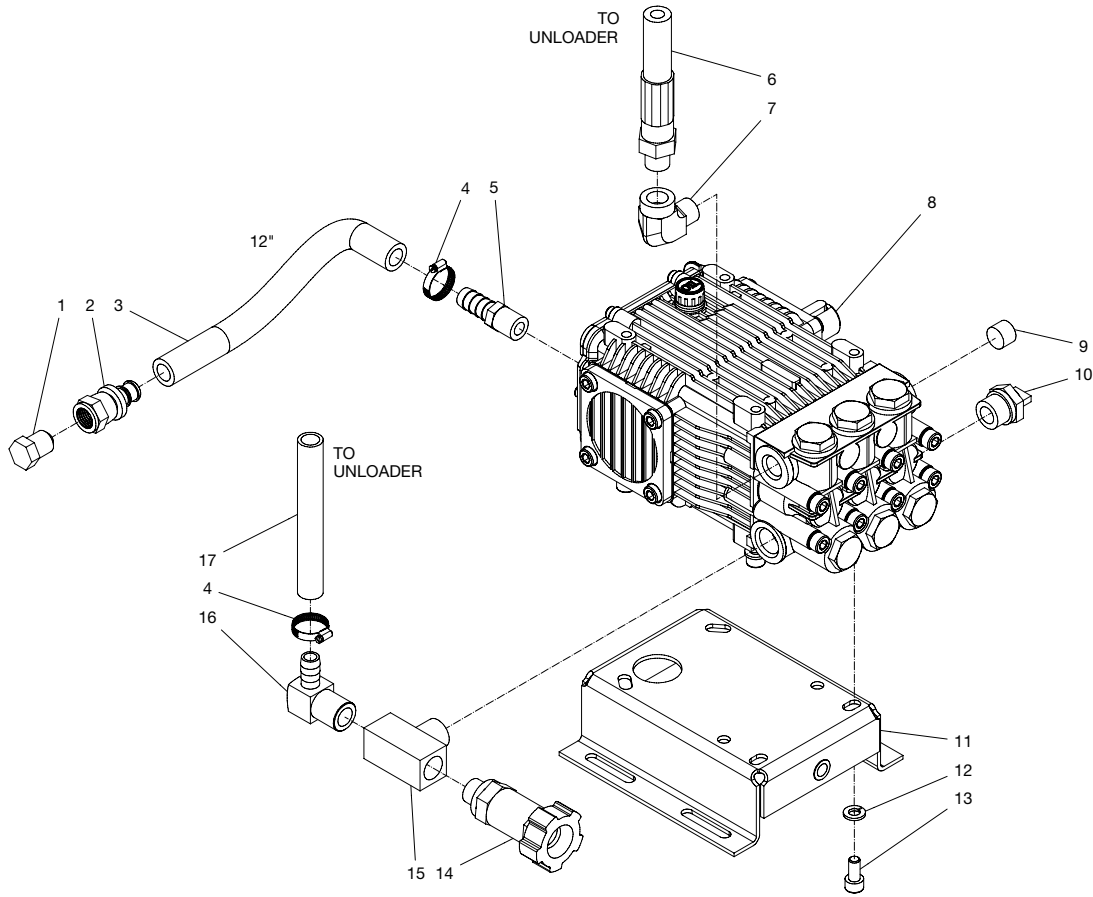
Ref. No.	Description	Part Numbers	Qty.	Ref. No.	Description	Part Numbers	Qty.
1	ELECTRIC BOX ASSEMBLY	N/A	1	25	CONDUIT ELBOW	32-0487	1
2	BOLT	27-0067	8	26	CONDUIT *(TWO FEET REQUIRED)	32-0486	1
3	WASHER	28-0003	31	27	KEY	43-0078	1
4	BOLT	27-9524	11	28	BELTGUARD BACK	6-0198A18	1
5	LOCKNUT	30-0157	12	29	EDGING *(FIVE FEET REQUIRED)	33-0020	1
6	PUSH/PULL TOGGLE CLAMP	33-0400	1	30	SHEAVE	10-0064	1
7	BOLT	27-9550	1	31	BUSHING	9-0010	1
8	BOLT	27-0015	6	32	BOLT	27-9527	2
9	BRAKE BRACKET	20-1393A18	1	33	CLIP	42-0055	1
10	LOCKNUT	30-0155	2	34	BELTGUARD COVER	6-0199A18	1
11	BOLT	27-1201	2	35	BUSHING	9-0017	1
12	FRAME	5-0398A18	1	36	BELT	11-0005	2
13	FUEL TANK ASSEMBLY	850-0193	1	37	SHEAVE	10-0007	1
14	HP FUEL HOSE	15-0190	1	38	NUT	30-3023	4
15	FUEL HOSE	15-0147	1	39	PUMP ASSEMBLY	N/A	1
16	BOLT	27-9529	2	40	BOLT	27-0118	2
17	UNLOADER/ MANIFOLD ASSEMBLY	N/A	1	41	TIGHTENER BRACKET	13-0005A18	1
18	WHEEL	14-0150	4	42	LOCKNUT	30-0159	2
19	LOCKNUT	30-0117	4	43	WASHER	28-0023	3
20	SNAP BUSHING	9-0028	2	44	BOLT	27-0576	1
21	CLIP	33-0291	1	45	FRONT PANEL	20-1395A18	1
22	BOLT	27-8923	4	46	GROMMET	33-0001	4
23	NUT	30-3030	4	47	HEAT EXCHANGER ASSEMBLY	N/A	1
24	MOTOR - 6HP 208-230V 1 PHASE	2-0205	1	48	BOLT	27-0072	4
-	MOTOR 6HP 208-230/460V 3 PHASE	2-0206	1		*MUST ORDER IN ONE FOOT LENGTHS		

For Repair Parts, call 888-279-9274

Please provide following information:

- Model number
- Serial number (if any)
- Part description and number as shown in parts lists

E
N
G
L
I
S
H



Repair Parts List

Ref. No.	Description	Part Numbers	Qty.
1	PLUG	23-0411	1
2	HOSE BARB	23-0360	1
3	HOSE *(ONE FOOT REQUIRED)	15-0305	1
4	HOSE CLAMP	42-0011	2
5	HOSE BARB	23-0105	1
6	HIGH PRESSURE HOSE	15-0194	1
7	ELBOW	24-0105	1
8	PUMP	3-0308	1
9	PLUG	23-0244	1

Ref. No.	Description	Part Numbers	Qty.
10	RELIEF VALVE	22-0005	1
11	PUMP BRACKET	5-0130A18	1
12	LOCKWASHER	29-0007	4
13	BOLT	27-8884	4
14	FILTER	19-0206	1
15	TEE	23-0235	1
16	ELBOW	23-0053	1
17	HOSE *(TWO FEET REQUIRED)	15-0007	1

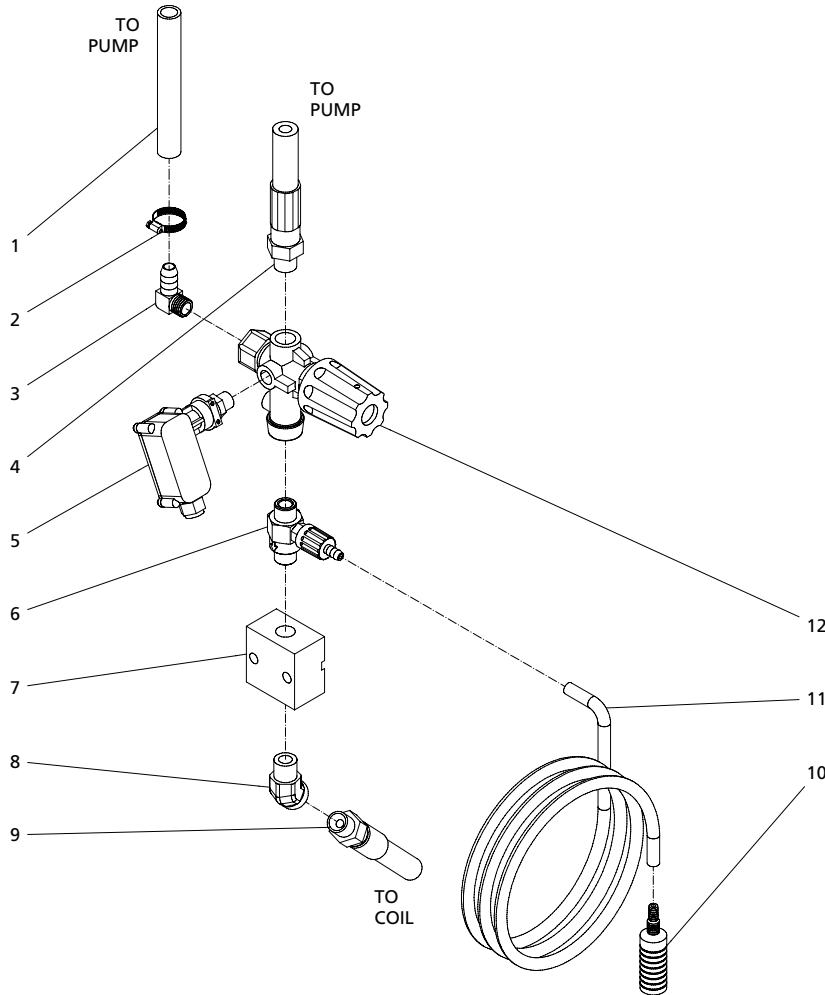
*MUST ORDER IN ONE FOOT LENGTHS

Figure 2 - Repair Parts Illustration GH-3003 - PUMP PLUMBING 121020

For Repair Parts, call 888-279-9274

Please provide following information

- Model number
- Serial number (if any)
- Part description and number as shown in parts lists



E
N
G
L
I
S
H

Repair Parts List

Ref. No.	Description	Part Numbers	Qty.
1	HOSE *(TWO FEET REQUIRED)	15-0007	1
2	HOSE CLAMP	42-0011	1
3	ELBOW	23-0119	1
4	HIGH PRESSURE HOSE	15-0194	1
5	PRESSURE SWITCH	22-0171	1
6	CHEMICAL INJECTOR	50-0052	1
7	MANIFOLD BLOCK	51-0026	1
8	ELBOW	24-0042	1

Ref. No.	Description	Part Numbers	Qty.
9	HIGH PRESSURE HOSE	15-0197	1
10	STRAINER	19-0050	1
11	CHEMICAL HOSE *(SIX FEET REQUIRED)	15-0021	1
12	UNLOADER (0D10)	8-0361	1
-	UNLOADER ASSY (SD10, SD30)	850-0449	1

*MUST ORDER IN ONE FOOT LENGTHS

Figure 3 - Repair Parts Illustration GH-3003 - UNLOADER ASSY 060920

For Repair Parts, call 888-279-9274

Please provide following information:

- Model number
- Serial number (if any)
- Part description and number as shown in parts lists

E
N
G
L
I
S
H

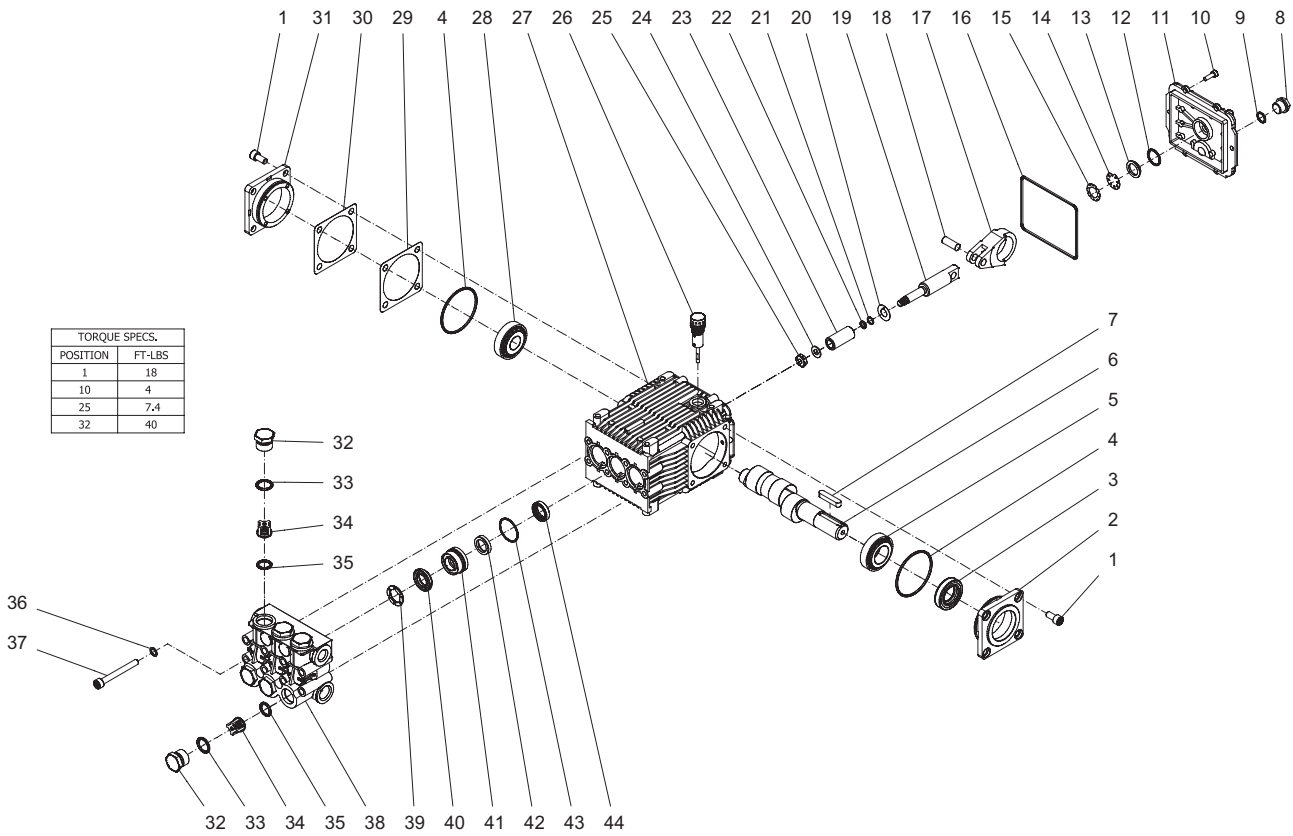


Figure 4 - Repair Parts Illustration 3-0308 061913

For Repair Parts, call 888-279-9274

Please provide following information

- Model number
- Serial number (if any)
- Part description and number as shown in parts lists

Repair Parts List

Ref. No.	Description	Part Numbers	Qty.	Ref. No.	Description	Part Numbers	Qty.
1	BOLT	27-8884	8	23	PISTON (SEE KIT 70-0352)	46-0701	3
2	SHAFT COVER	46-0691	1	24	WASHER/GASKET (SEE KIT 70-0352)	26-0191	3
3	OIL SEAL (SEE KIT 70-0321)	26-0188	1	25	NUT (SEE KIT 70-0352)	30-6020	3
4	O-RING (SEE KIT 70-0321)	25-0380	2	26	OIL DIPSTICK	39-0090	1
5	ROLLER BEARING	48-0061	1	27	CRANKCASE	46-1198	1
6	CRANKSHAFT	46-1103	1	28	BEARING	48-0072	1
7	PUMP KEY	43-0091	1	29	SHIM	46-0705	1
8	PLUG	39-0086	1	30	SHIM	46-0704	1
9	O-RING	25-0325	1	31	BEARING CAP/SUPPORT	46-0703	1
10	BOLT	27-8885	6	32	VALVE CAP	39-0095	6
11	CRANKCASE COVER	46-0719	1	33	O-RING	25-0160	6
12	O-RING	25-0370	1	34	VALVE ASSEMBLY (SEE KIT 70-0319)	46-0937	6
13	OIL SIGHT GLASS	46-0670	1	35	O-RING (SEE KIT 70-0319)	25-0386	6
14	OIL REFLECTOR	46-0824	1	36	LOCKWASHER	29-0154	8
15	SPRING RETAINER	46-0671	1	37	BOLT	27-8440	8
16	O-RING (SEE KIT 70-0321)	25-0398	1	38	MANIFOLD	46-1186	1
17	CONNECTING ROD	46-0896	3	39	SUPPROT RING (SEE KIT 70-0178)	46-0710	3
18	PISTON PIN	46-0698	3	40	V PACKING (SEE KIT 70-0177)	46-0709	3
19	PLUNGER ROD	46-0699	3	41	PACKING RETAINER	46-0708	3
20	SLINGER WASHER (SEE KIT 70-0352)	46-0700	3	42	LOW PRESSURE SEAL (SEE KIT 70-0177)	46-0707	3
21	O-RING (SEE KIT 70-0352)	25-0404	3	43	O-RING (SEE KIT 70-0177)	25-0384	3
22	O-RING (SEE KIT 70-0352)	25-0415	3	44	OIL SEAL (SEE KIT 70-0321)	46-0931	3

E
N
G
L
I
S
H

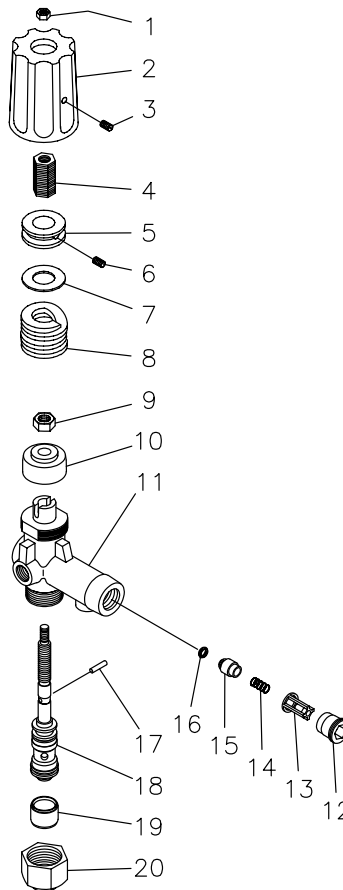
KIT #	DESCRIPTION	ITEMS	# OF ASSEMBLIES	# OF CYLINDERS
70-0321	KIT - OIL SEALS	3,4,16,44	1,1,1,3	-(3)
70-0352	KIT - PISTONS	20-25	3	3
70-0177	KIT - HIGH PRESSURE SEALS	40,42,43	3	3
70-0178	KIT - SUPPORT RINGS	39	3	3
70-0319	KIT - VALVES	34,35	6	3

For Repair Parts, call 888-279-9274

Please provide following information:

- Model number
- Serial number (if any)
- Part description and number as shown in parts lists

E
N
G
L
I
S
H



Repair Parts List

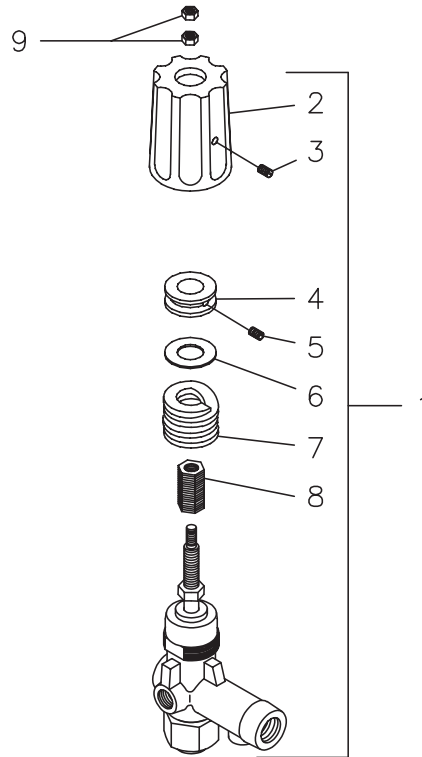
Ref. No.	Description	Part Numbers	Qty.	Ref. No.	Description	Part Numbers	Qty.
1	HEX NUT	8-0362	1	12	RETAINER	8-0269	1
2	COVER	7-0098	1	13	VALVE HOUSING	8-0104	1
3	SET SCREW	27-4280	1	14	SPRING	49-0023	1
4	ADJUSTING INSERT- BRASS	8-0363	1	15	VALVE	8-0105	1
5	ADJUSTMENT NUT	8-0364	1	16	O-RING	25-0036	1
6	SET SCREW	8-0365	1	17	CYLINDER PIN	8-0372	1
7	GLIDE RING	8-0366	1	18	PISTON REPAIR KIT	70-0243	1
8	SPRING	49-0104	1	19	SPACER	8-0371	1
9	HEX NUT	8-0367	1	20	STOP NUT	8-0157	1
10	BUSHING	8-0368	1	<u>CHECK VALVE REPAIR KIT (INCLUDES 13-16)</u>			70-0244
11	UNLOADER BODY	8-0369	1				

Figure 5 - Repair Parts Illustration 8-0361 061920

For Repair Parts, call 888-279-9274

Please provide following information

- Model number
- Serial number (if any)
- Part description and number as shown in parts lists



E
N
G
L
I
S
H

Repair Parts List

Ref. No.	Description	Part Numbers	Qty.
1	UNLOADER	8-0361	1
2	ADJUSTMENT KNOB	7-0098	1
3	SET SCREW	27-4280	1
4	ADJUSTMENT NUT	8-0364	1
5	SET SCREW	8-0365	1

Ref. No.	Description	Part Numbers	Qty.
6	GUIDE RING	8-0366	1
7	SPRING	49-0104	1
8	ADJUSTMENT INSERT	8-0363	1
9	HEX NUT	30-3024	2

Figure 6 - Repair Parts Illustration 850-0449 083120 GRAINGER

For Repair Parts, call 888-279-9274

Please provide following information:

- Model number
- Serial number (if any)
- Part description and number as shown in parts lists

E
N
G
L
I
S
H

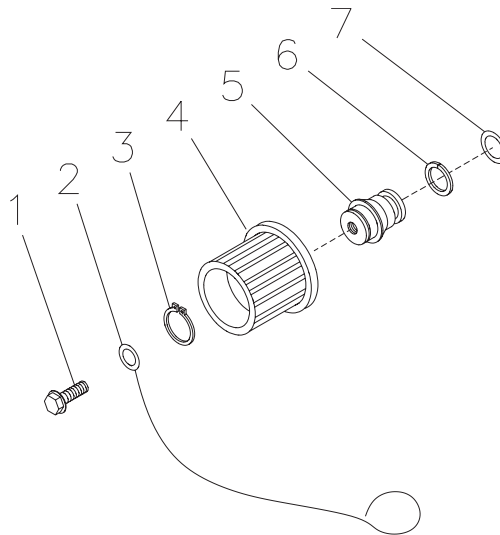


Figure 7 - Repair Parts Illustration 850-0218 041597

For Repair Parts, call 888-279-9274

Please provide following information

- Model number
- Serial number (if any)
- Part description and number as shown in parts lists

Repair Parts List

Ref. No.	Description	Part Numbers	Qty.	Ref. No.	Description	Part Numbers	Qty.
1	BOLT	27-9526	1	5	PLUG	24-0147	1
2	RETAINING CABLE	33-0260	1	6	BACK-UP RING	25-0424	1
3	SNAP RING	33-0261	1	7	O-RING	25-0423	1
4	HAND WHEEL	16-0239	1				

E
N
G
L
I
S
H

For Repair Parts, call 888-279-9274

Please provide following information:

- Model number
- Serial number (if any)
- Part description and number as shown in parts lists

E
N
G
L
I
S
H

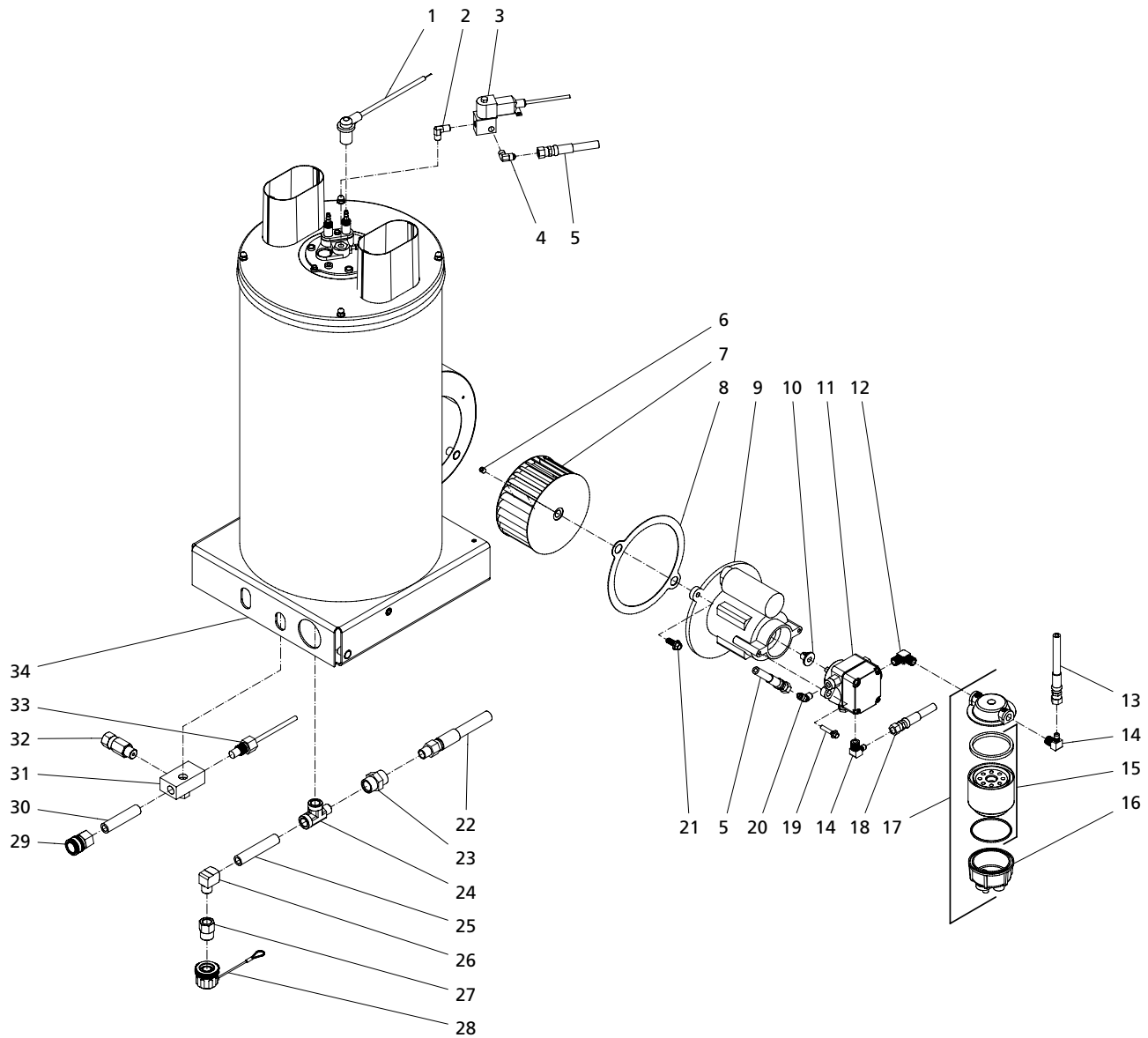


Figure 8 - Repair Parts Illustration GH-3003 HEAT EXCHANGER 081720

For Repair Parts, call 888-279-9274

Please provide following information

- Model number
- Serial number (if any)
- Part description and number as shown in parts lists

Repair Parts List

Ref. No.	Description	Part Numbers	Qty.	Ref. No.	Description	Part Numbers	Qty.
1	ELECTRODE WIRE	32-0988	2	18	FUEL HOSE	15-0147	1
2	ELBOW	23-0249	1	19	BOLT	27-8898	2
3	FUEL SOLENOID	44-0101	1	20	ELBOW	23-0288	1
4	ELBOW	23-0287	1	21	BOLT	27-9524	2
5	HP FUEL HOSE	15-0165	1	22	HIGH PRESSURE HOSE	15-0197	1
6	SET SCREW (W/ BLOWER FAN)	30-3031	1	23	COUPLER	24-0166	1
7	FAN/ BLOWER	44-0103	1	24	STREET TEE	23-0058	1
8	SHIM	20-0460A18	1	25	PIPE NIPPLE	24-0165	1
9	BLOWER MOTOR - 240V	2-0086	1	26	ELBOW	23-0034	1
10	COUPLER (W/ BLOWER MOTOR)	33-0265	1	27	ADAPTER	23-0279	1
11	FUEL PUMP	3-0020	1	28	DRAIN PLUG ASSEMBLY	850-0218	1
12	ELBOW	23-0130	1	29	QUICK CONNECT SOCKET	17-0004	1
13	HP FUEL HOSE	15-0190	1	30	PIPE NIPPLE	24-0141	1
14	ELBOW	23-0237	2	31	OUTLET CONNECTOR	24-0138	1
15	STRAINER	19-0053	1	32	PRESSURE RELIEF VALVE	22-0273	1
16	BOWL	19-0071	1	33	HI LIMIT SWITCH	32-0798	1
17	FUEL FILTER / WATER SEPERATOR	19-0070	1	34	HEAT EXCHANGER ASSEMBLY	850-0240	1

E
N
G
L
I
S
H

For Repair Parts, call 888-279-9274

Please provide following information:

- Model number
- Serial number (if any)
- Part description and number as shown in parts lists

E
N
G
L
I
S
H

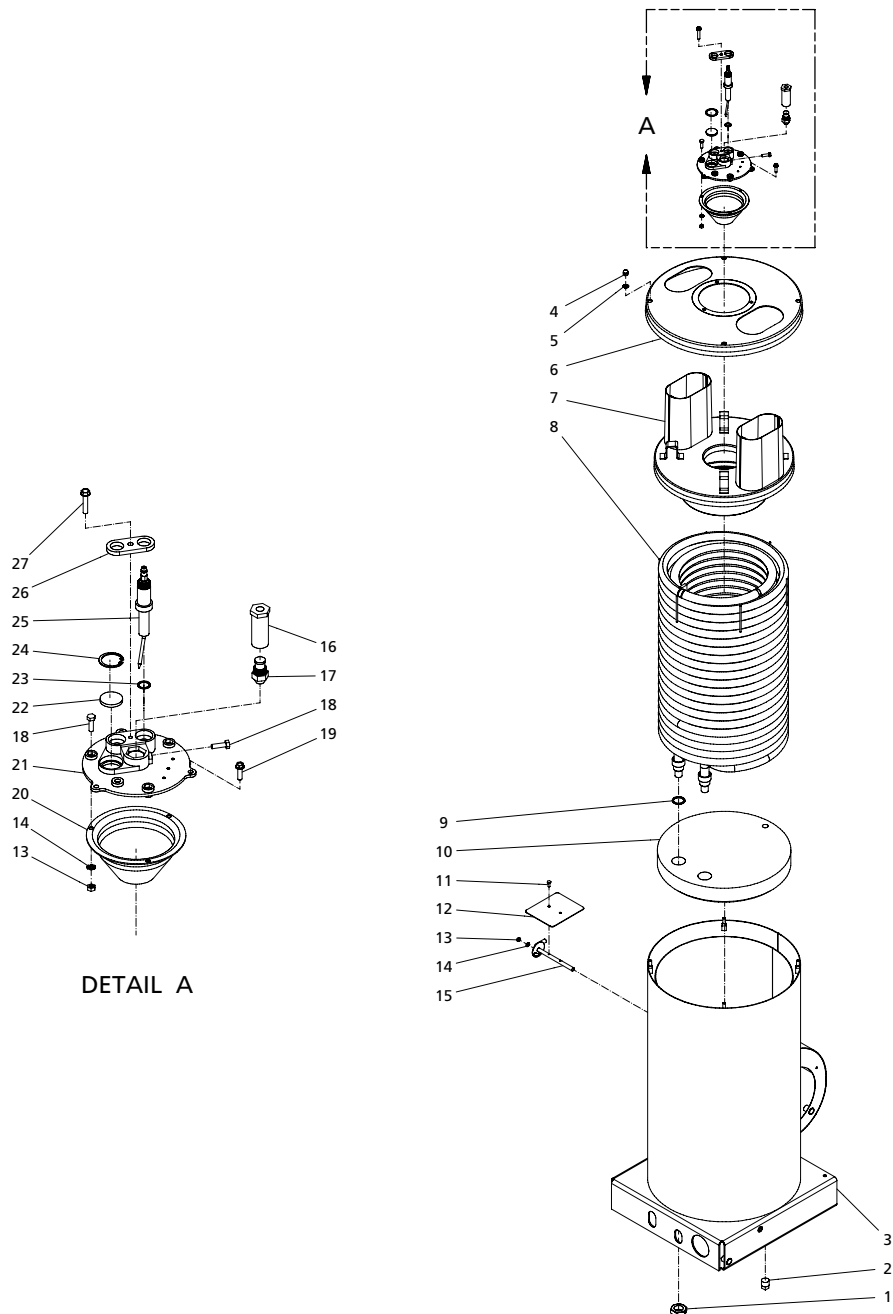


Figure 9 - Repair Parts Illustration 850-0240 090920

For Repair Parts, call 888-279-9274

Please provide following information

- Model number
- Serial number (if any)
- Part description and number as shown in parts lists

Repair Parts List

Ref. No.	Description	Part Numbers	Qty.
1	NUT	30-0121	2
2	PLUG	24-0034	1
3	OUTER WRAP	20-0431A18	1
4	ACORN NUT	30-6002	4
5	LOCKWASHER	28-1028	4
6	TOP PAN	20-0371A18	1
7	INNER PAN ASSEMBLY	20-0372	1
8	HEAT EXCHANGER COIL	66-0011	1
9	WASHER	28-0521	2
10	INSULATION	33-0250	1
11	BOLT	27-8879	2
12	AIR DIVERTER	20-0378A18	1
13	NUT	30-6001	4
14	STAR WASHER	28-1009	4

Ref. No.	Description	Part Numbers	Qty.
15	AIR DIVERTER STEM	20-0377A18	1
16	FUEL NOZZLE HOLDER	23-0292	1
17	NOZZLE OIL 1.50 X 60 DEG B	18-0305	1
18	BOLT	27-8878	4
19	BOLT	27-9526	3
20	CONE	20-0373	1
21	ELECTRODE PLATE	38-0065	1
22	SIGHT GLASS	33-0252	1
23	WASHER	28-0523	2
24	SNAP RING	33-0254	1
25	ELECTRODE	32-0987	2
26	ELECTRODE BRACKET	20-1094A18	1
27	BOLT	27-8807	1

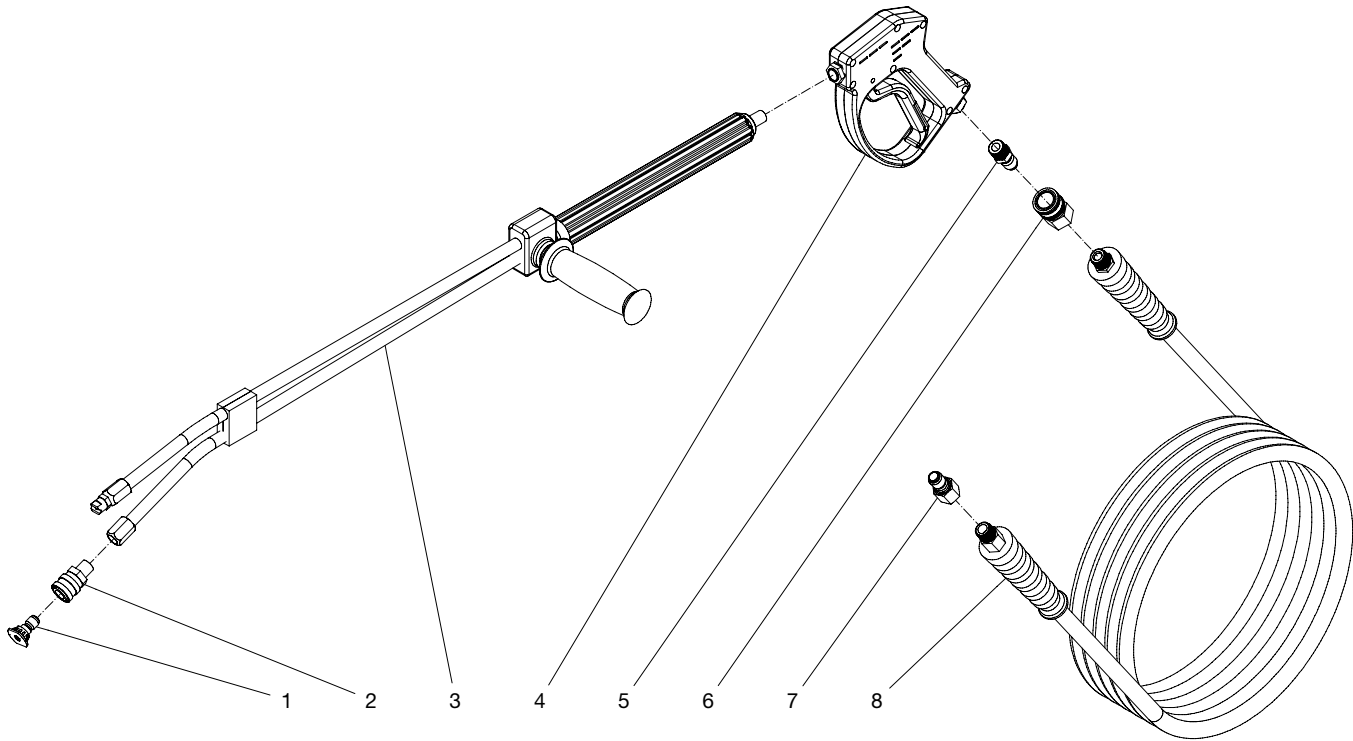
E
N
G
L
I
S
H

For Repair Parts, call 888-279-9274

Please provide following information:

- Model number
- Serial number (if any)
- Part description and number as shown in parts lists

E
N
G
L
I
S
H



Repair Parts List

Ref. No.	Description	Part Numbers	Qty.
1	NOZZLE 00030 QC	18-0387	1
-	NOZZLE 15030 QC	18-0388	1
-	NOZZLE 25030 QC	18-0390	1
-	NOZZLE 40030 QC	18-0391	1
2	QC SOCKET	17-0028	1
3	DUAL LANCE	16-0416	1

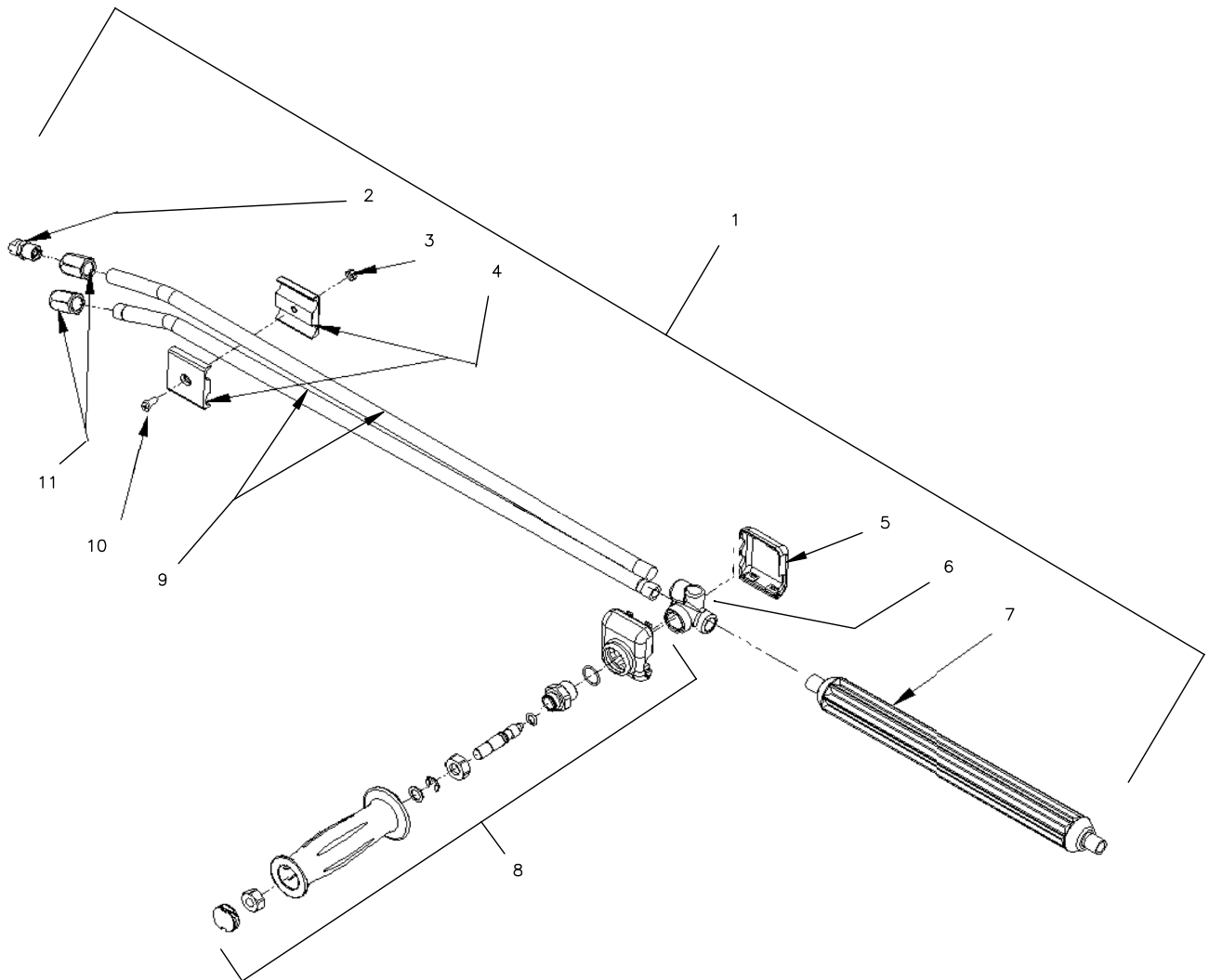
Ref. No.	Description	Part Numbers	Qty.
4	GUN	16-0446	1
5	QUICK CONNECT	17-0005	1
6	QUICK CONNECT SOCKET	17-0004	1
7	QUICK CONNECT	17-0006	1
8	HOSE	15-0146	1

Figure 10 - Repair Parts Illustration HSE LG - GUN_WAND_HOSE ASSY 121020

For Repair Parts, call 888-279-9274

Please provide following information

- Model number
- Serial number (if any)
- Part description and number as shown in parts lists



E
N
G
L
I
S
H

Repair Parts List

Ref. No.	Description	Part Numbers	Qty.	Ref. No.	Description	Part Numbers	Qty.
1	DUAL LANCE ASSEMBLY - 36" (INC. 2-11)	16-0416	1	7	LANCE	16-0419	1
2	DETERGENT NOZZLE	18-0110	1	8	HANDLE REPAIR KIT	70-0419	1
3	NUT	30-6001	1	9	LANCE	N/A SEP.	2
4	CLAMP	16-0420	2	10	SCREW	27-8196	1
5	LOWER VALVE COVER	N/A SEP.	1	11	NOZZLE ADAPTER	24-0280	2
6	HOUSING	N/A SEP.	1				

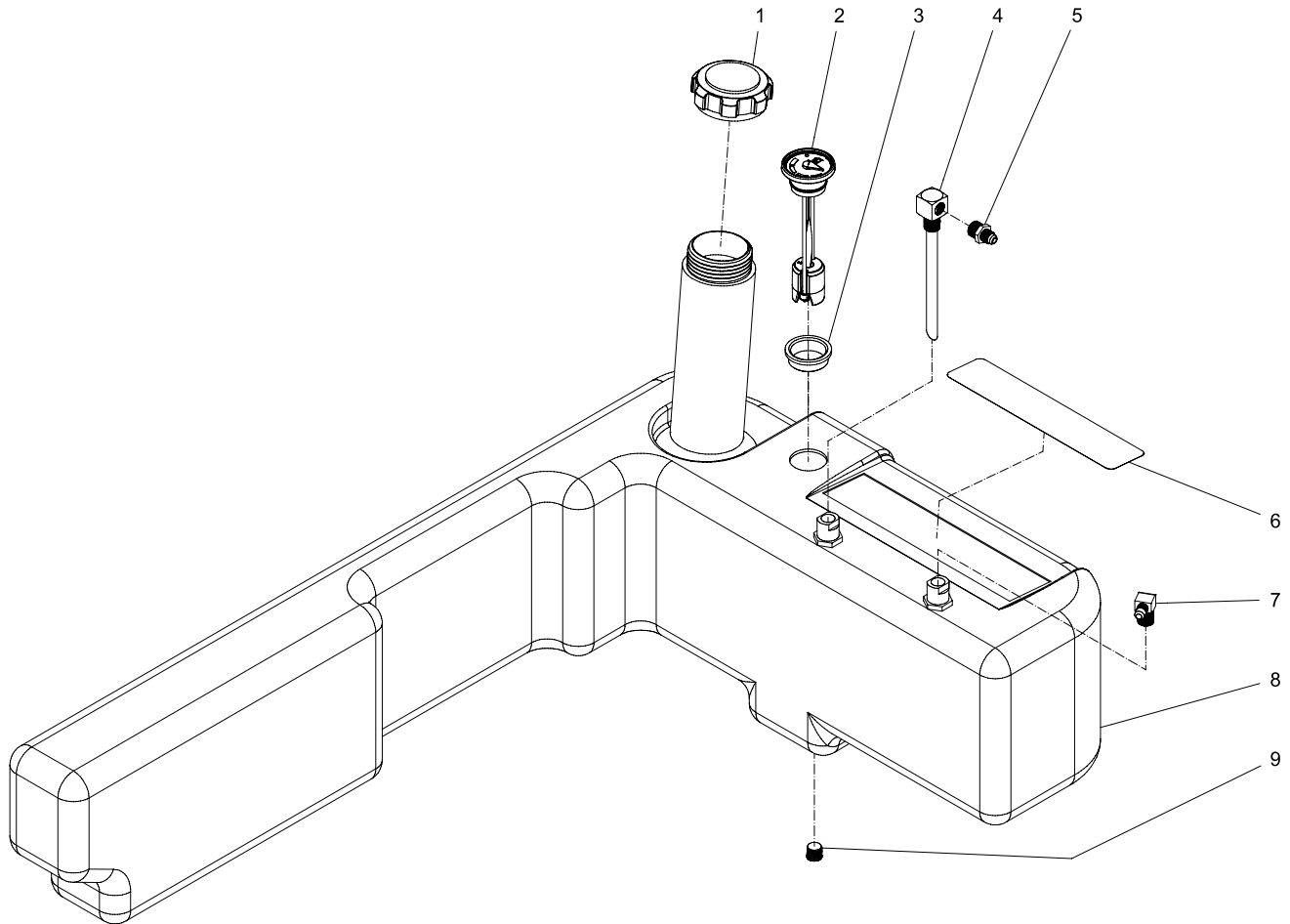
Figure 11 - Repair Parts Illustration 16-0416_16-0417 GRAINGER 102405

For Repair Parts, call 888-279-9274

Please provide following information:

- Model number
- Serial number (if any)
- Part description and number as shown in parts lists

E
N
G
L
I
S
H

**Repair Parts List**

Ref. No.	Description	Part Numbers	Qty.
1	FUEL CAP	12-0033	1
2	FUEL GAUGE	22-0215	1
3	FUEL GAUGE GROMMET	33-0255	1
4	FUEL PICK UP	33-0270	1
5	NIPPLE	23-0247	1

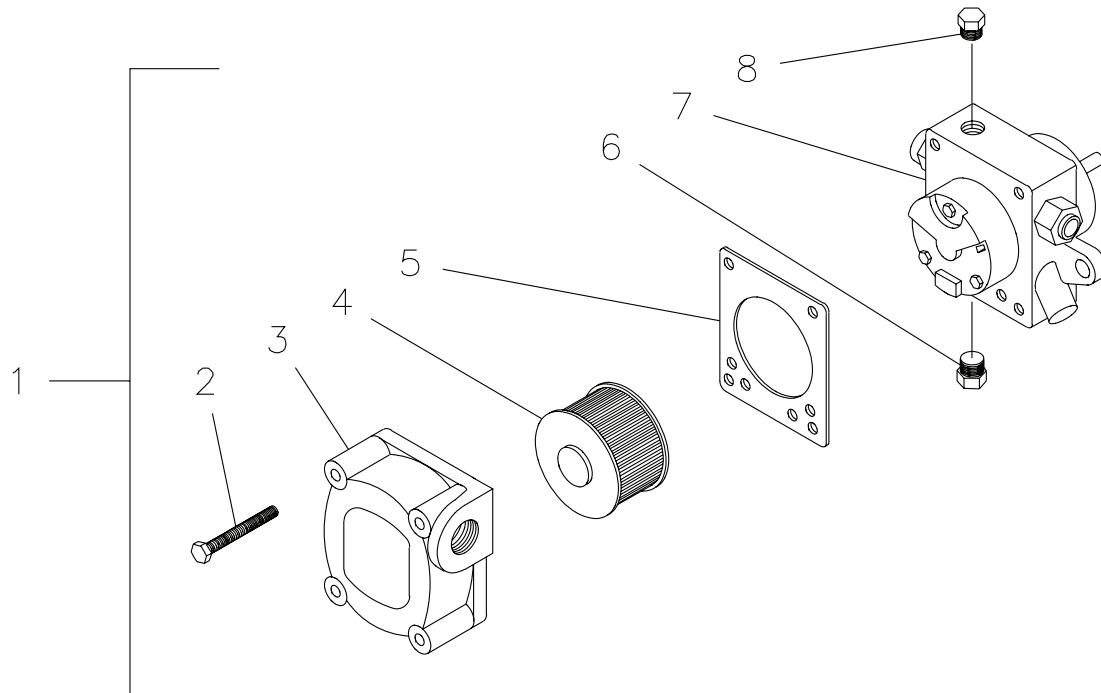
Ref. No.	Description	Part Numbers	Qty.
6	DECAL - CAUTION: RISK OF FIRE	N/A	1
7	ELBOW	23-0237	1
8	FUEL TANK	12-0052	1
9	PLUG	23-0296	1

Figure 12 - Repair Parts Illustration FUEL TANK ASSEMBLY 850-0193 GRAINGER 112515

For Repair Parts, call 888-279-9274

Please provide following information

- Model number
- Serial number (if any)
- Part description and number as shown in parts lists



E
N
G
L
I
S
H

Repair Parts List

Ref. No.	Description	Part Numbers	Qty.
1	FUEL PUMP COMPLETE-RIGHT HAND	3-0020	1
2	COVER SCREW	46-1006	4
3	COVER-RIGHT HAND	N/A	1
4	STRAINER	19-0034	1

Ref. No.	Description	Part Numbers	Qty.
5	COVER GASKET	26-0109	1
6	PLUG	N/A	3
7	BODY	N/A	1
8	PLUG	24-0082	1

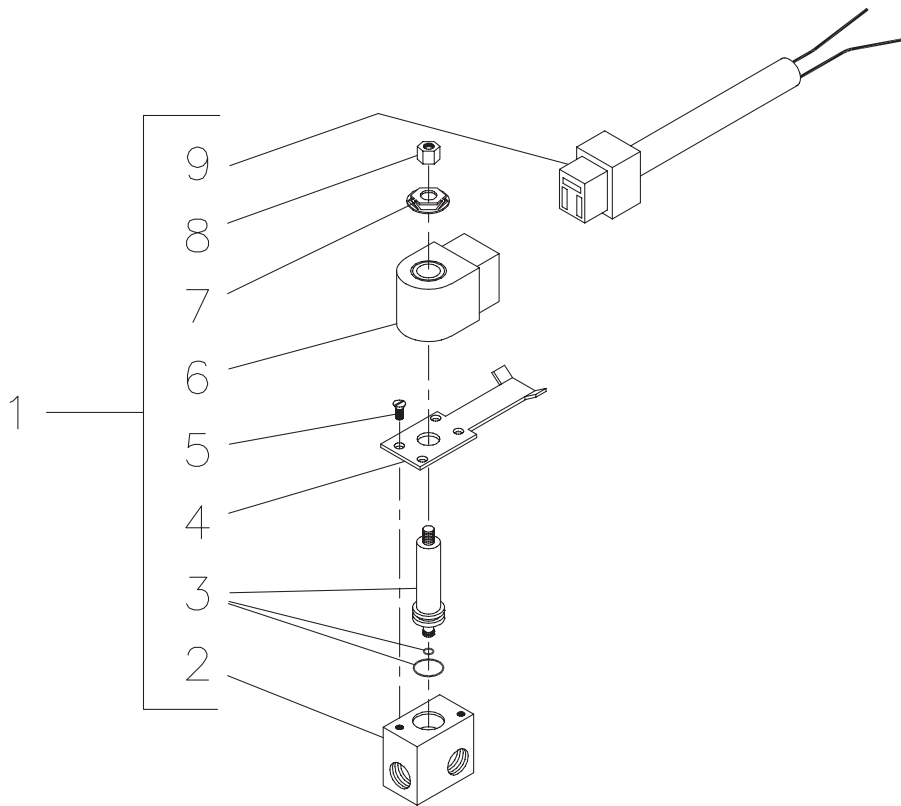
Figure 13 - Repair Parts Illustration 3-0129_3-0020 GRAINGER 021720

For Repair Parts, call 888-279-9274

Please provide following information:

- Model number
- Serial number (if any)
- Part description and number as shown in parts lists

E
N
G
L
I
S
H



Repair Parts List

Ref. No.	Description	Part Numbers	Qty.
1	SOLENOID COMPLETE+120V	44-0101	1
2	SOLENOID BODY	N/A	1
3	SOLENOID PISTON	46-1012	1
4	SOLENOID BASE	N/A	1
5	SCREW (SEE 44-0101)	N/A	2

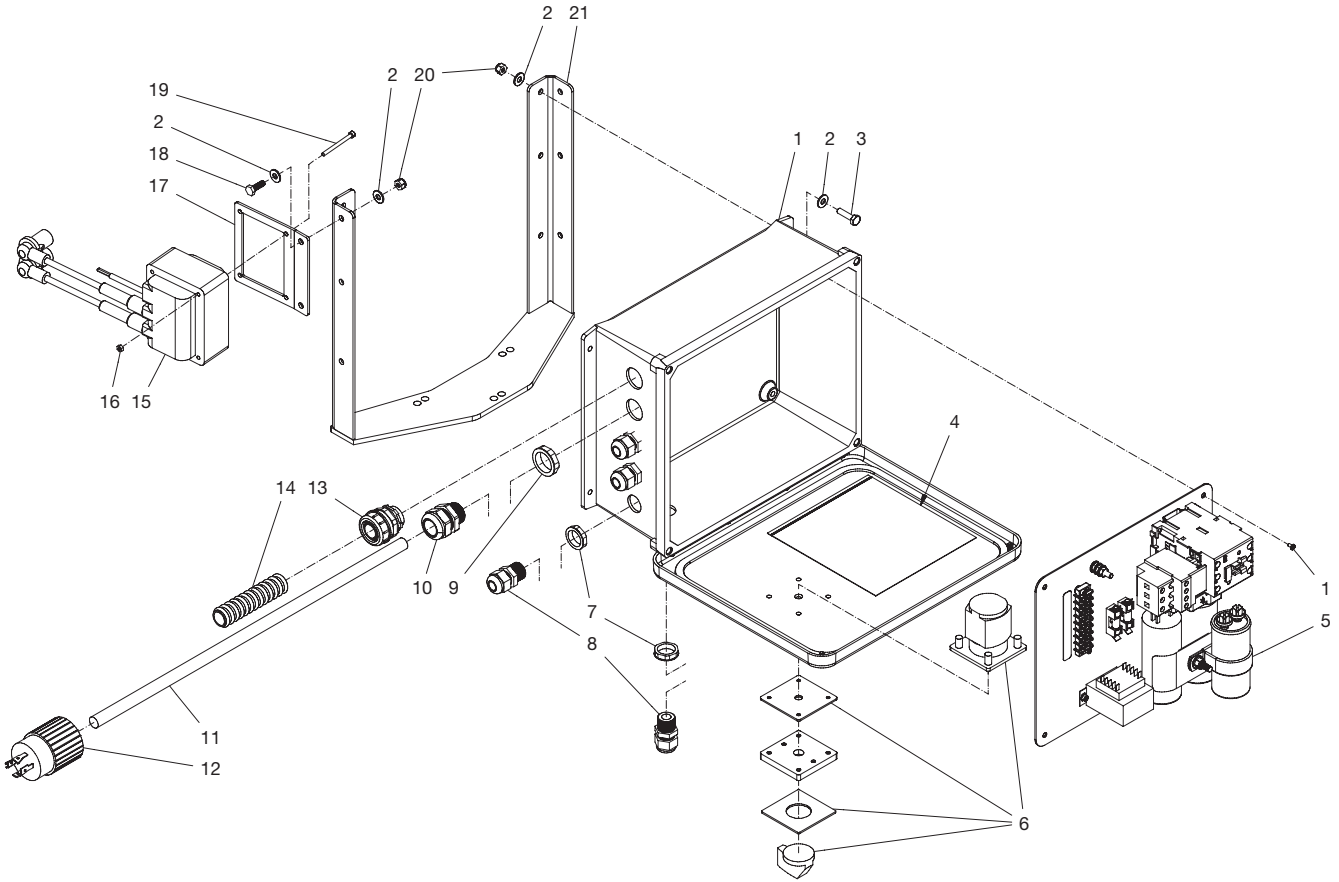
Ref. No.	Description	Part Numbers	Qty.
6	SOLENOID COIL-120V	46-1020	1
7	SPRING (SEE 44-0101)	N/A	1
8	PISTON NUT	46-1016	1
9	DIN CONNECTOR CORD	32-0443	1

Figure 14 - Repair Parts Illustration 44-0098 440101 GRAINGER 021720

For Repair Parts, call 888-279-9274

Please provide following information

- Model number
- Serial number (if any)
- Part description and number as shown in parts lists



E
N
G
L
I
S
H

Repair Parts List

Ref. No.	Description	Part Numbers	Qty.	Ref. No.	Description	Part Numbers	Qty.
1	ELECTRIC BOX	32-1283	1	-	CORD (0D10, SD10)	32-0334	1
2	WASHER	28-0002	12	12	PLUG (SD30)	32-0118	1
3	BOLT	27-0016	4	13	CONDUIT STRAIGHT	32-0488	1
4	PLASTIC ZIPLOCK BAG	41-0184	1	14	CONDUIT *(TWO FEET REQUIRED)	32-0486	1
5	ELECTRIC PANEL ASSEMBLY - 1PH	N/A	1	15	IGNITOR W/WIRES	850-0223	1
-	ELECTRIC PANEL ASSEMBLY - 3PH	N/A	1	16	NUT	30-0137	4
6	CAM SWITCH	32-0435	1	17	BRACKET	20-1633A18	1
7	ELECTRICAL LOCKNUT	32-0108	4	18	BOLT	27-0015	2
8	STRAIN RELIEF	32-0437	4	19	SCREW	27-8899	4
9	ELECTRICAL LOCKNUT	32-0292	1	20	LOCKNUT	30-0155	6
10	CORD RELIEF	9-0046	1	21	ELECTRIC BOX BRACKET	13-0261A18	1
11	CORD *(THIRTY SEVEN FEET REQUIRED) (SD30)	32-0025	1		*MUST ORDER IN ONE FOOT LENGTHS		

Figure 15 - Repair Parts Illustration GH-3003 E-BOX ASSY 121020

For Repair Parts, call 888-279-9274

Please provide following information:

- Model number
- Serial number (if any)
- Part description and number as shown in parts lists

E
N
G
L
I
S
H

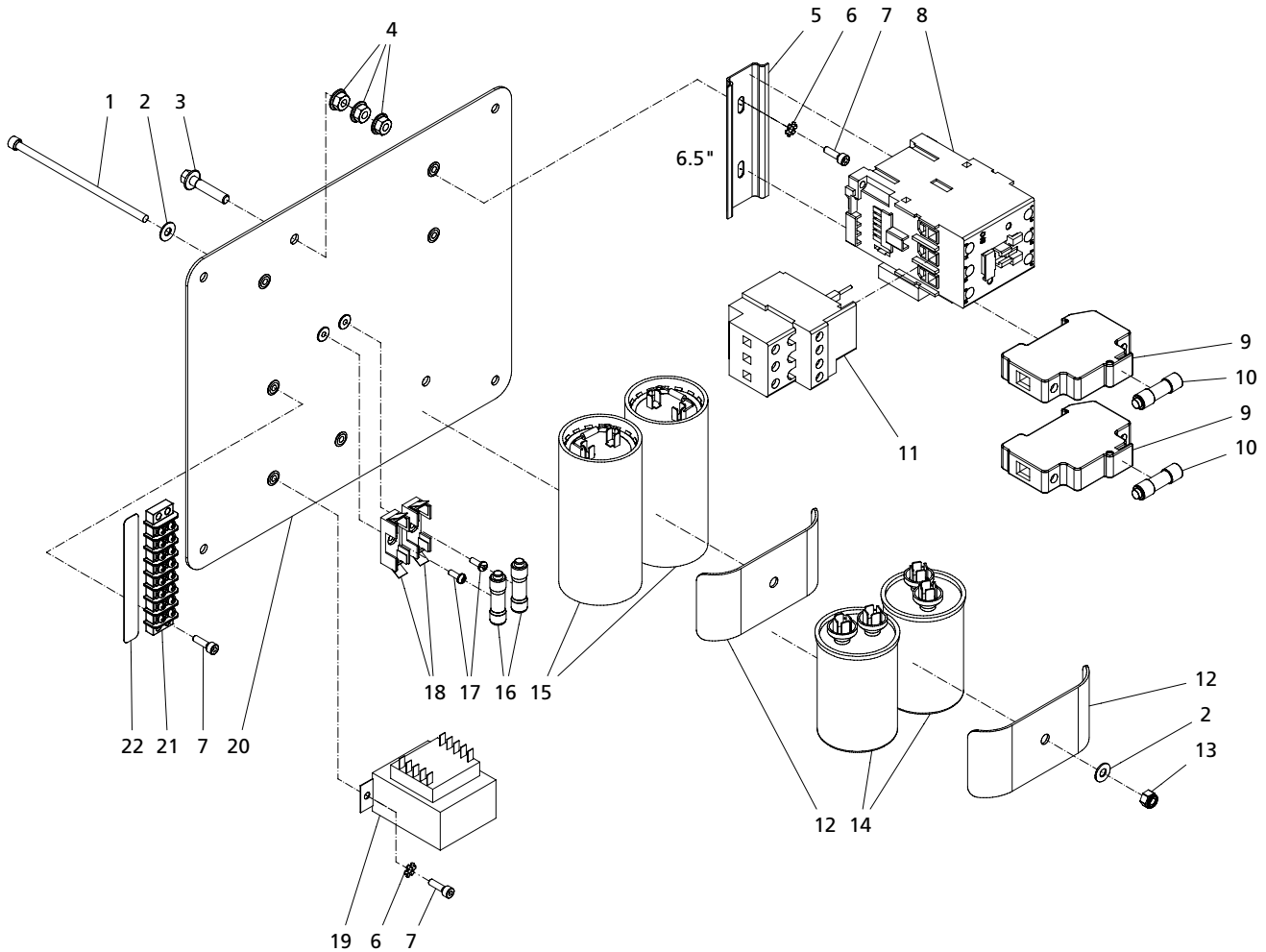


Figure 16 - Repair Parts Illustration GH-3003 ELEC PANEL - 1PH 081120 (BEFORE SERIAL #15143273)

For Repair Parts, call 888-279-9274

Please provide following information

- Model number
- Serial number (if any)
- Part description and number as shown in parts lists

Repair Parts List

Ref. No.	Description	Part Numbers	Qty.	Ref. No.	Description	Part Numbers	Qty.
1	BOLT	27-0759	1	12	CAPACITOR CLAMP	20-0467	2
2	WASHER	28-0001	2	13	LOCKNUT	30-0154	1
3	BOLT	27-8898	1	14	CAPACITOR	32-0519	2
4	NUT	30-3022	3	15	CAPACITOR	32-0516	2
5	DIN RAIL *(ONE FOOT REQUIRED)	32-0316	1	16	FUSE - 0.15 AMP	32-0711	2
6	STAR WASHER	28-1009	4	17	BOLT	27-2045	2
7	SCREW	27-8835	6	18	FUSE HOLDER	32-0710	2
8	CONTACTOR	32-0232	1	19	TRANSFORMER	32-0704	1
9	FUSE HOLDER	32-0473	2	20	ELECTRICAL PLATE	20-1634A06	1
10	FUSE 5A	32-0470	2	21	TERMINAL STRIP	32-0436	1
11	OVERLOAD	32-1073	1	22	DECAL	N/A	1

*MUST ORDER IN ONE FOOT LENGTHS

For Repair Parts, call 888-279-9274

Please provide following information:

- Model number
- Serial number (if any)
- Part description and number as shown in parts lists

E
N
G
L
I
S
H

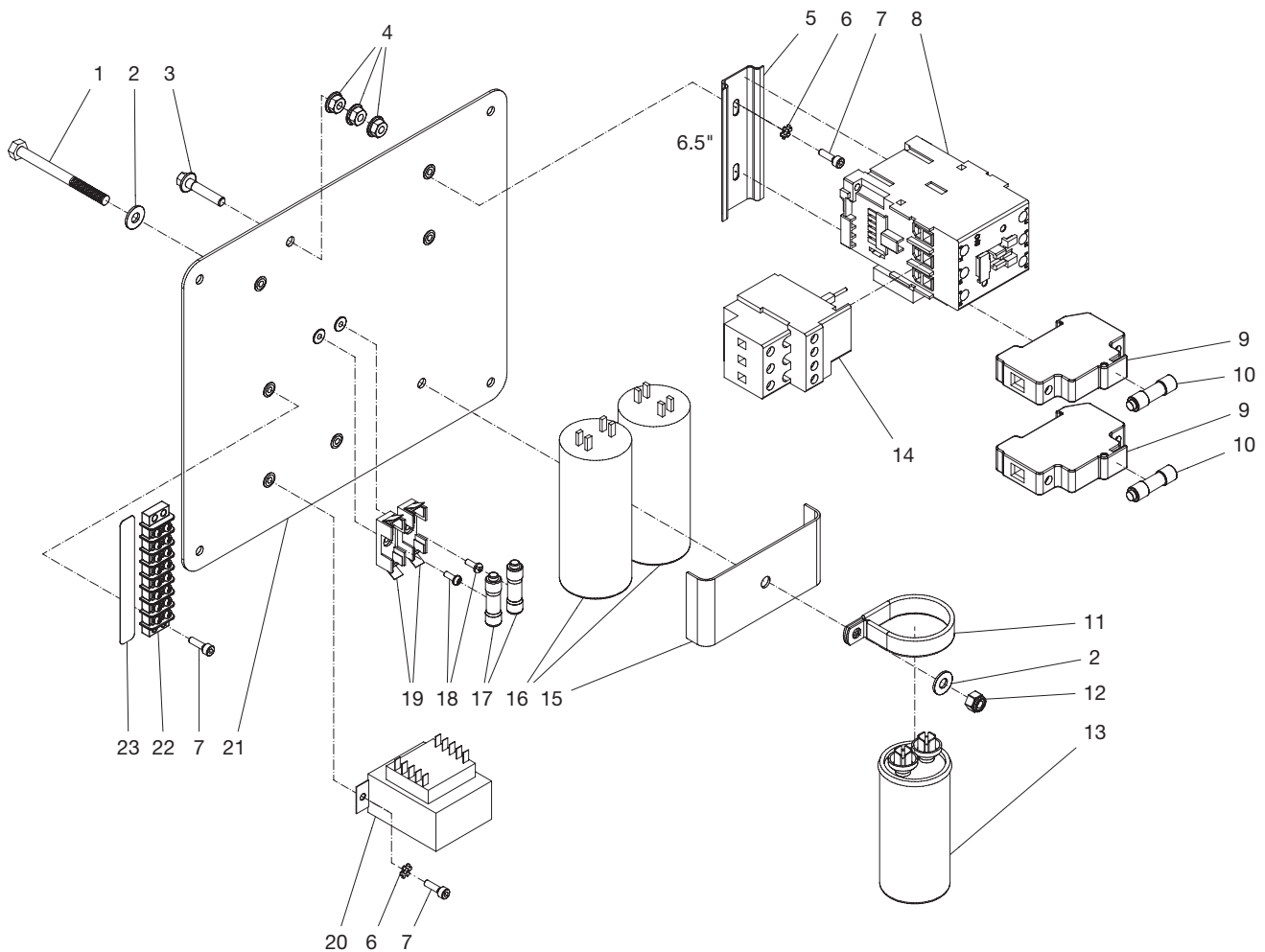


Figure 16 - Repair Parts Illustration GH-3003 ELEC PANEL - 1PH 040521 (AFTER SERIAL #15143273)

For Repair Parts, call 888-279-9274

Please provide following information

- Model number
- Serial number (if any)
- Part description and number as shown in parts lists

Repair Parts List

Ref. No.	Description	Part Numbers	Qty.	Ref. No.	Description	Part Numbers	Qty.
1	BOLT	27-0024	1	13	CAPACITOR	32-1296	1
2	WASHER	28-0002	2	14	OVERLOAD	32-1073	1
3	BOLT	27-8898	1	15	CAPACITOR CLAMP	20-0797A18	1
4	NUT	30-3022	3	16	CAPACITOR	32-1268	2
5	DIN RAIL *(ONE FOOT REQUIRED)	32-0316	1	17	FUSE - 0.15 AMP	32-0711	2
6	STAR WASHER	28-1009	4	18	BOLT	27-2045	2
7	SCREW	27-8835	6	19	FUSE HOLDER	32-0710	2
8	CONTACTOR	32-0232	1	20	TRANSFORMER	32-0704	1
9	FUSE HOLDER	32-0473	2	21	ELECTRICAL PLATE	20-1634A06	1
10	FUSE 5A	32-0470	2	22	TERMINAL STRIP	32-0436	1
11	TUBE CLIP	33-0657	1	23	DECAL	N/A	1
12	LOCKNUT	30-0155	1				

*MUST ORDER IN ONE FOOT LENGTHS

For Repair Parts, call 888-279-9274

Please provide following information:

- Model number
- Serial number (if any)
- Part description and number as shown in parts lists

E
N
G
L
I
S
H

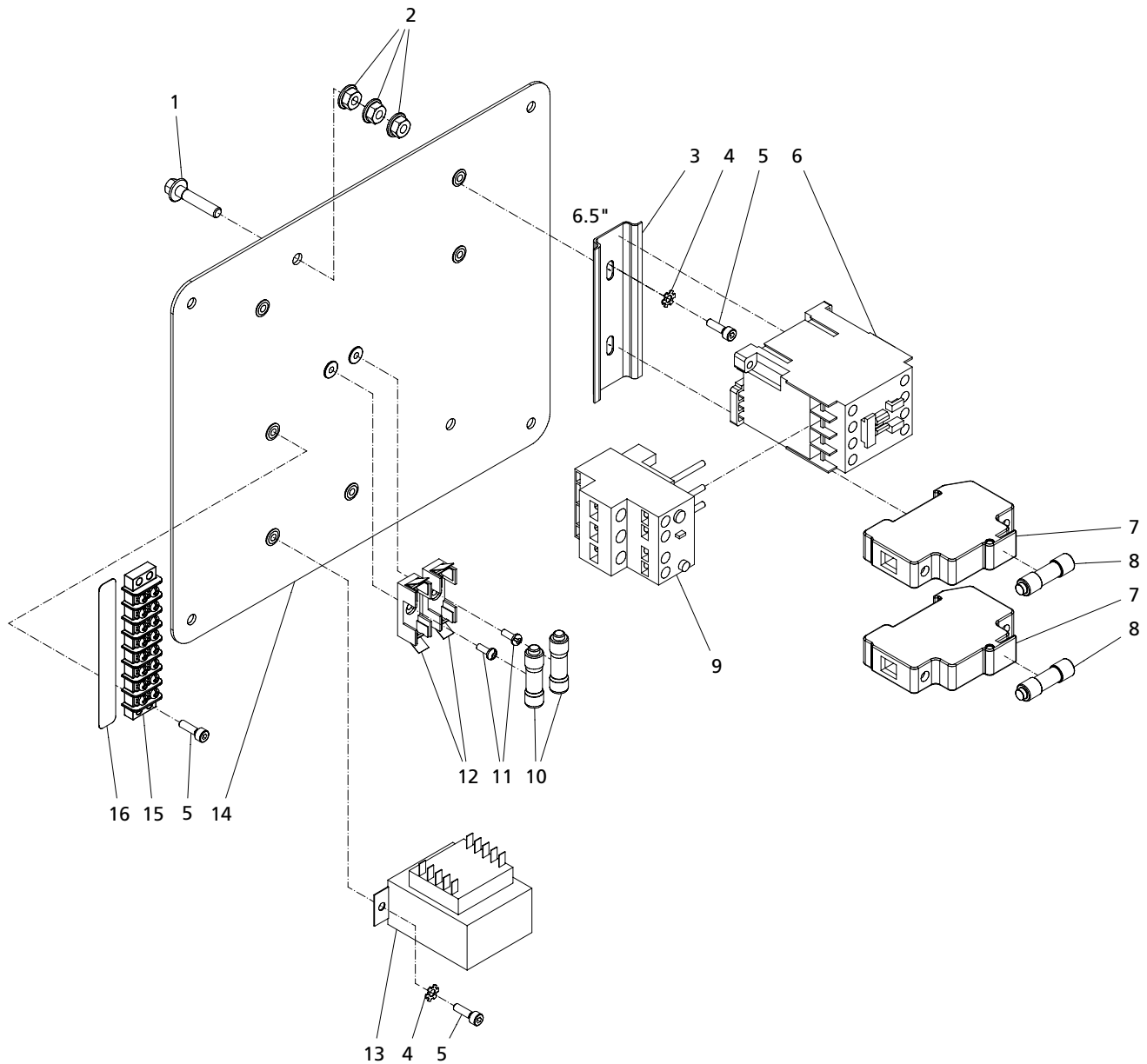


Figure 17 - Repair Parts Illustration GH-3003 ELEC PANEL - 3PH 081120

For Repair Parts, call 888-279-9274

Please provide following information

- Model number
- Serial number (if any)
- Part description and number as shown in parts lists

Repair Parts List

Ref. No.	Description	Part Numbers	Qty.	Ref. No.	Description	Part Numbers	Qty.
1	BOLT	27-8898	1	9	OVERLOAD RELAY	32-0482	1
2	NUT	30-3022	3	10	FUSE - 0.15 AMP	32-0711	2
3	DIN RAIL *(ONE FOOT REQUIRED)	32-0316	1	11	BOLT	27-2045	2
4	STAR WASHER	28-1009	4	12	FUSE HOLDER	32-0710	2
5	SCREW	27-8835	6	13	TRANSFORMER	32-0704	1
6	CONTACTOR	32-0235	1	14	ELECTRICAL PLATE	20-1634A06	1
7	FUSE HOLDER	32-0473	2	15	TERMINAL STRIP	32-0436	1
8	FUSE 5A	32-0470	2	16	DECAL	N/A	1

*MUST ORDER IN ONE FOOT LENGTHS

For Repair Parts, call 888-279-9274

Please provide following information:

- Model number
- Serial number (if any)
- Part description and number as shown in parts lists

Address parts correspondence to:

Grainger Parts
 P. O. Box 3074
 1657 Shermer Road
 Northbrook, IL 60065-3074 U.S.A.

ENGLISH

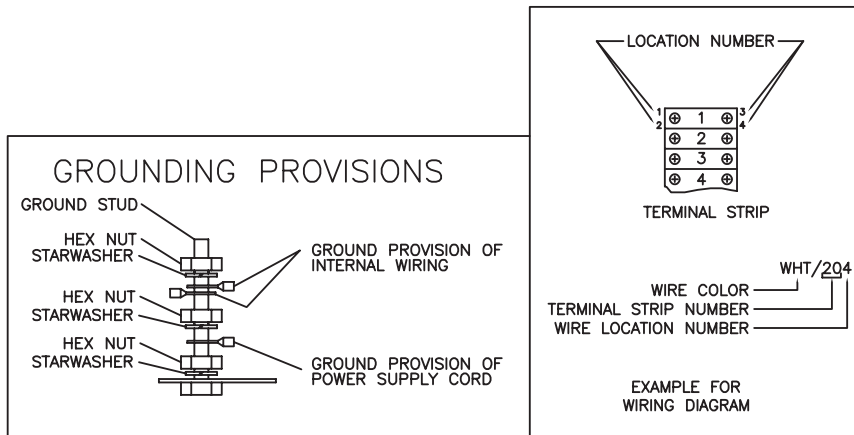
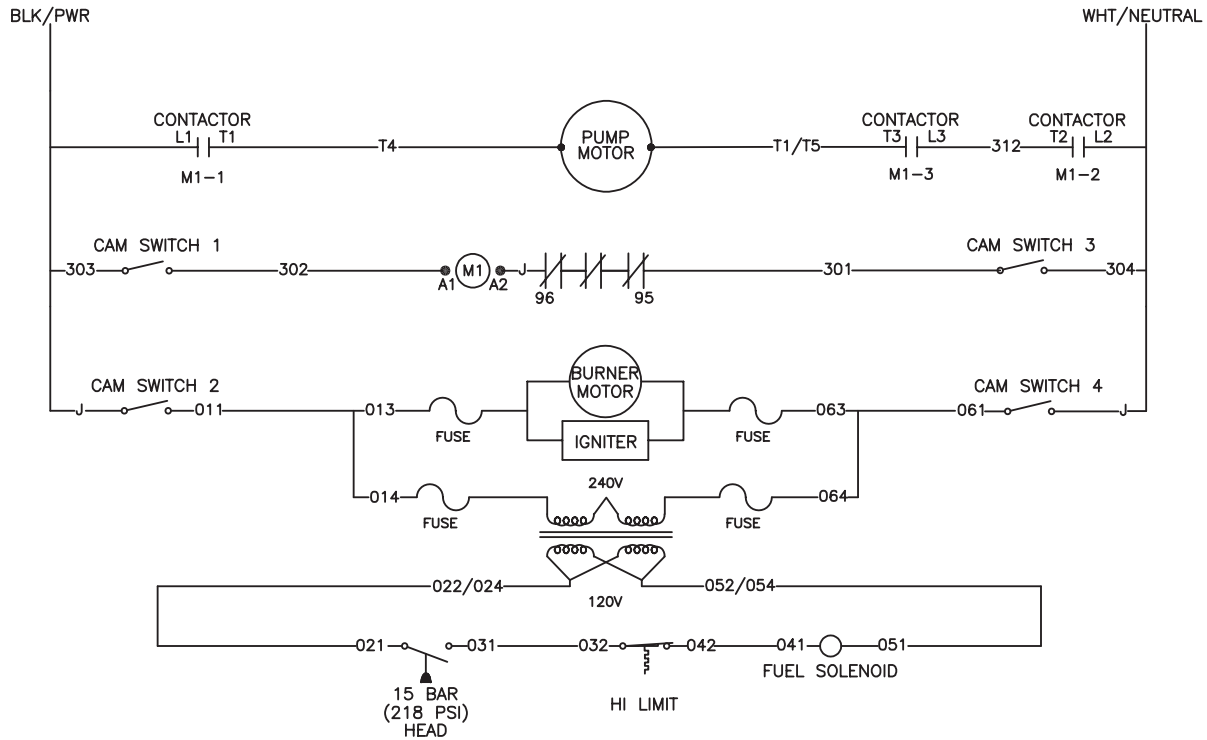


Figure 18 - WIRE SCHEMATIC wiring schematic WS GH-3003 SINGLE PHASE 121020 (BEFORE SERIAL #15143273)

For Repair Parts, call 888-279-9274

Please provide following information:

- Model number
- Serial number (if any)
- Part description and number as shown in parts lists

Address parts correspondence to:

Grainger Parts
 P. O. Box 3074
 1657 Shermer Road
 Northbrook, IL 60065-3074 U.S.A.

E
N
G
L
I
S
H

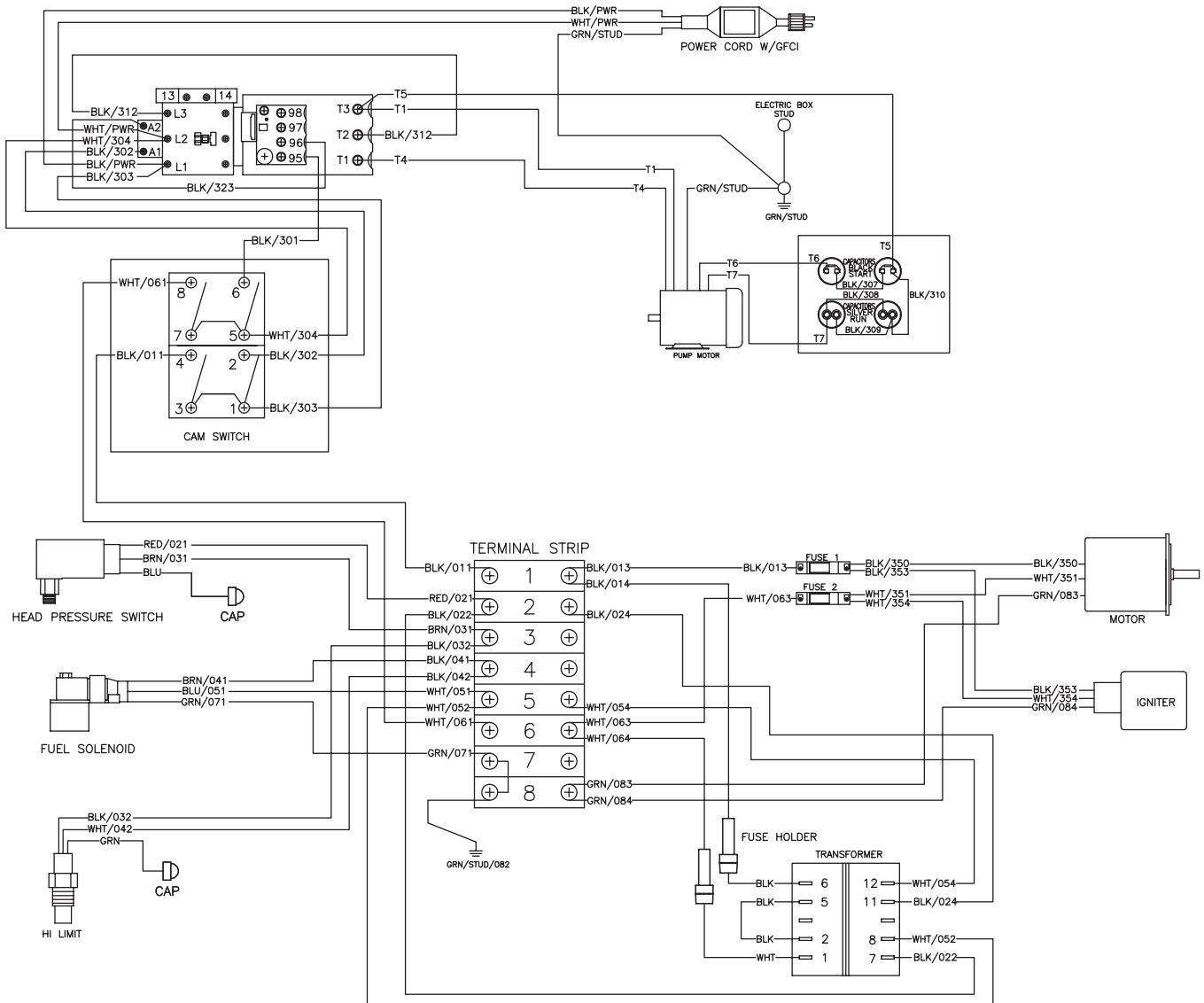


Figure 19 - WIRE DIAGRAM WD GH-3003 SINGLE PHASE 121020 (BEFORE SERIAL #15143273)

For Repair Parts, call 888-279-9274

Please provide following information:

- Model number
- Serial number (if any)
- Part description and number as shown in parts lists

E
N
G
L
I
S
H

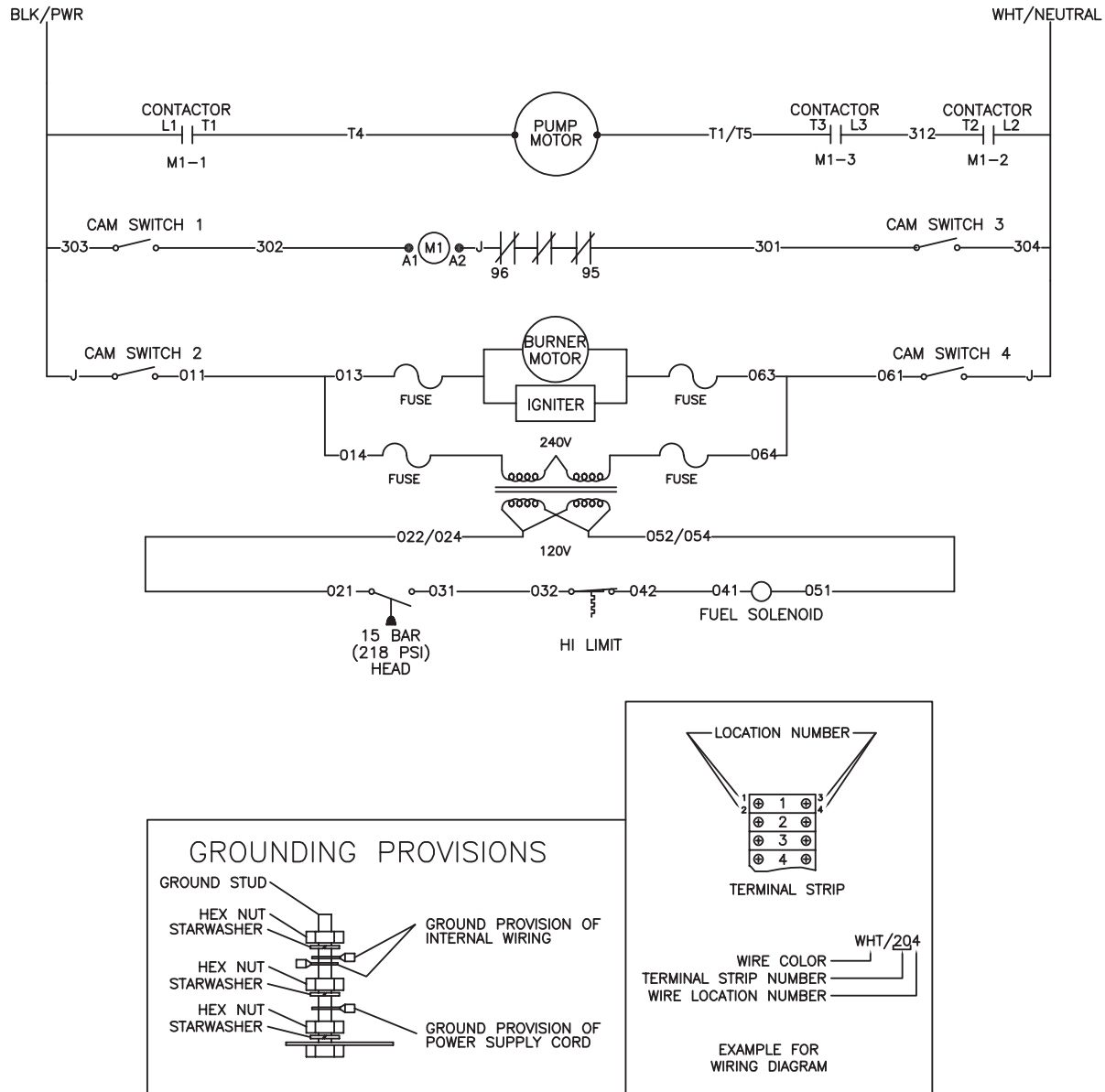


Figure 18 - WIRE SCHEMATIC wiring schematic WS GH-3003 SINGLE PHASE 101220 (AFTER SERIAL #15143273)

For Repair Parts, call 888-279-9274

Please provide following information

- Model number
- Serial number (if any)
- Part description and number as shown in parts lists

E
N
G
L
I
S
H

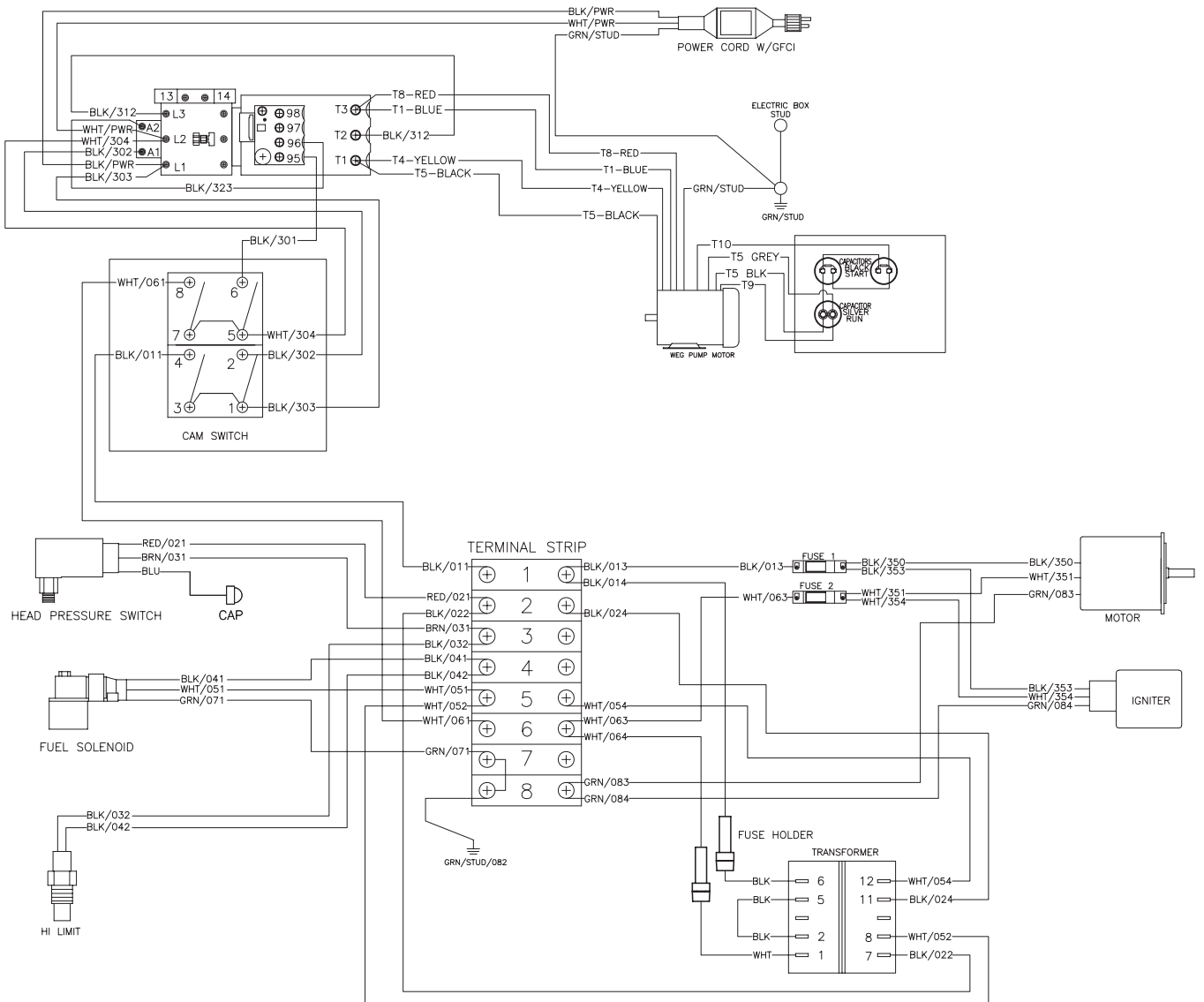


Figure 19 - WIRE DIAGRAM WD GH-3003 SINGLE PHASE 101220 (AFTER SERIAL #15143273)

For Repair Parts, call 888-279-9274

Please provide following information:

- Model number
- Serial number (if any)
- Part description and number as shown in parts lists

ENGLISH

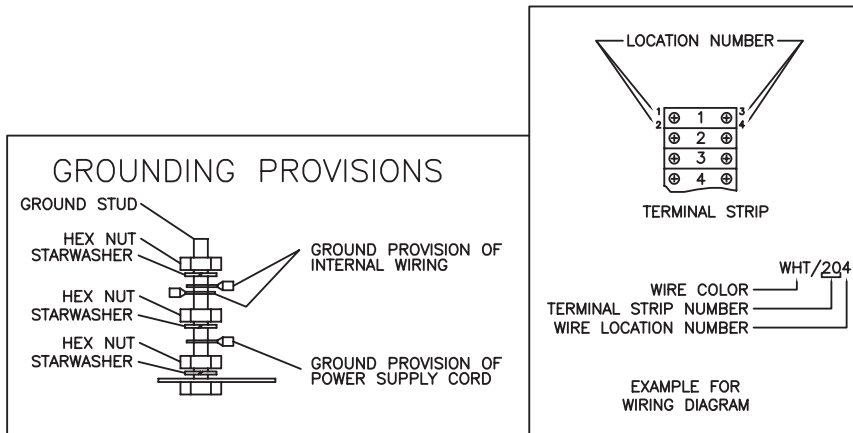
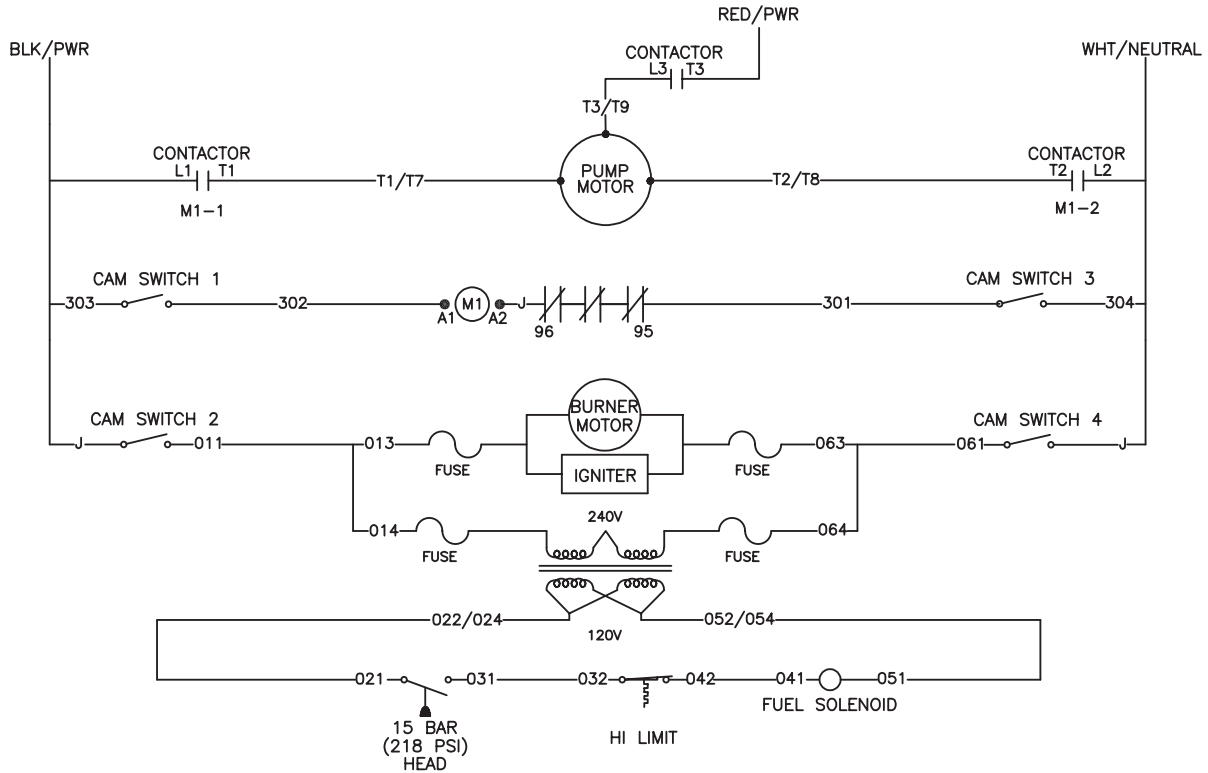
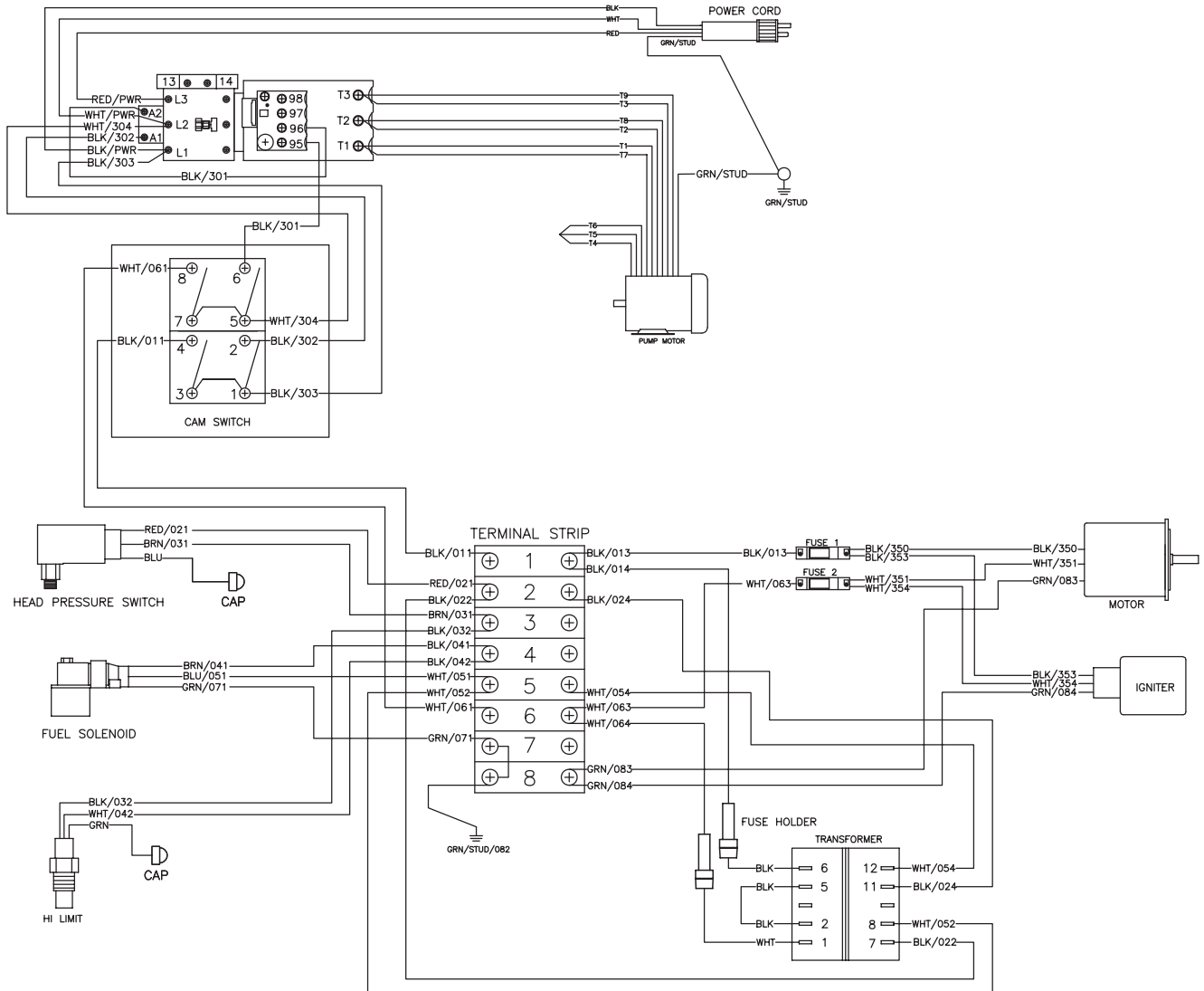


Figure 20 - WIRE SCHEMATIC wiring schematic WS GH-3003 THREE PHASE 121020

For Repair Parts, call 888-279-9274

Please provide following information

- Model number
- Serial number (if any)
- Part description and number as shown in parts lists



E
N
G
L
I
S
H

Figure 21 - WIRE DIAGRAM WD GH-3003 THREE PHASE 121020

